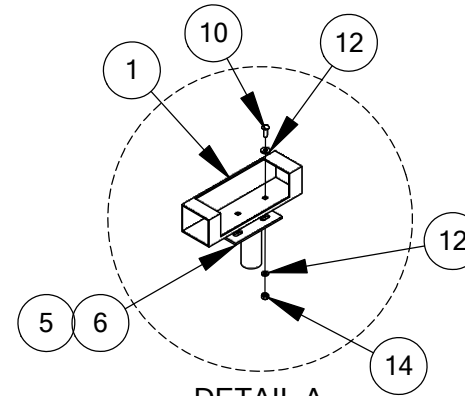


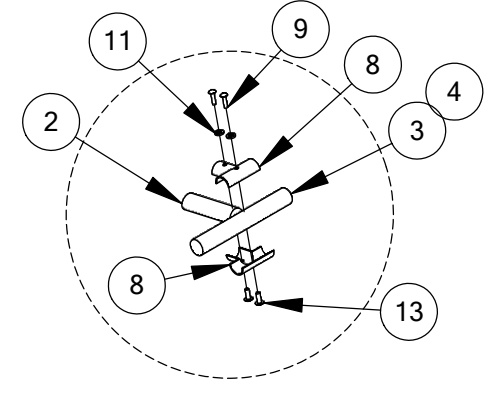
PULL SLIDE

511-111

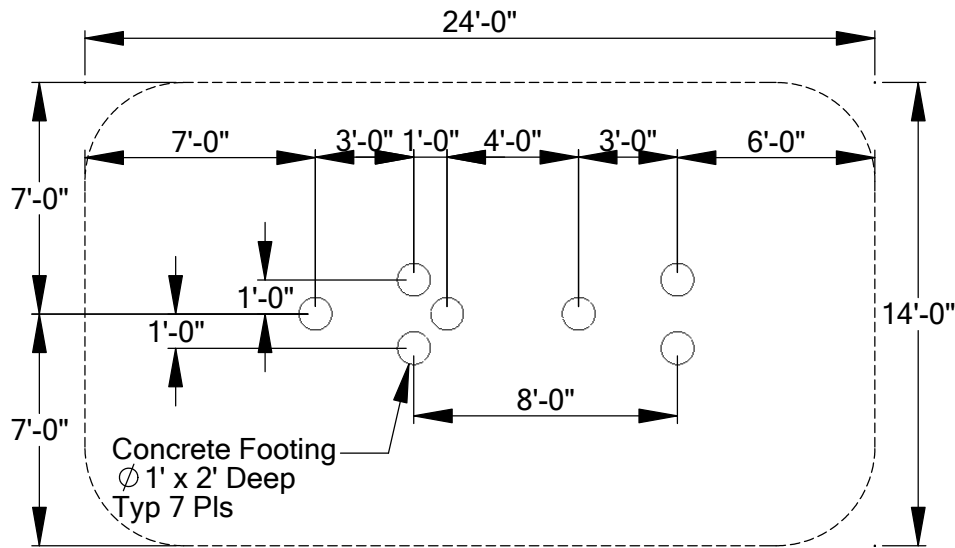
ITEM NO.	PART NUMBER	DESCRIPTION	QTY.
1	603-910	10' Alum. Board	1
2	503-202	Rail	3
3	513-606	Frame (6'-3-1/2")	1
4	513-607	Frame (4'-9-1/2")	1
5	603-629	Support (3'-0")	2
6	603-632	Support (3'-6")	1
7	605-506	Clips	6
8	415-515	1-5/8" T-Clamps	12
9	116-535	5/16" x 1-1/2" Buttonhead Bolt	12
10	126-504	5/16" x 1" Carriage Bolt	6
11	326-501	5/16" Lock Washer	18
12	316-501	5/16" Flat Washer	6
13	216-512	5/16" x 1" Buttonhead Nut	12
14	216-501	5/16" Hex Nut	6
15	416-350	3/16" Socket Key	1



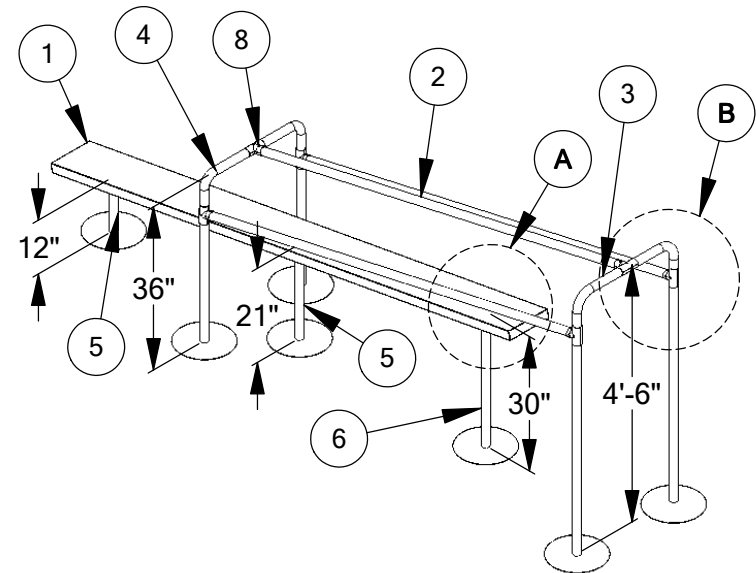
DETAIL A
Typ 6 Pls



DETAIL B
Typ 6 Pls



Footing Diagram



5

↑

4

3

2

1