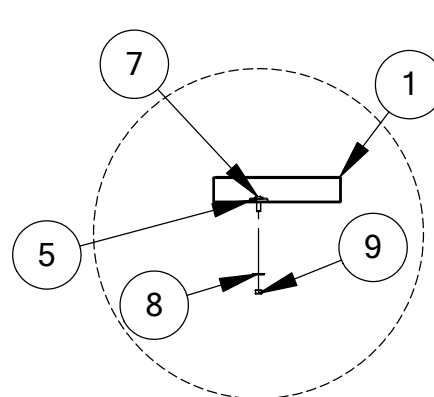


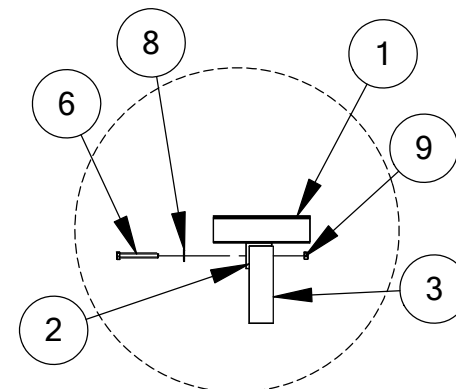
SIT-UP STATION

511-114

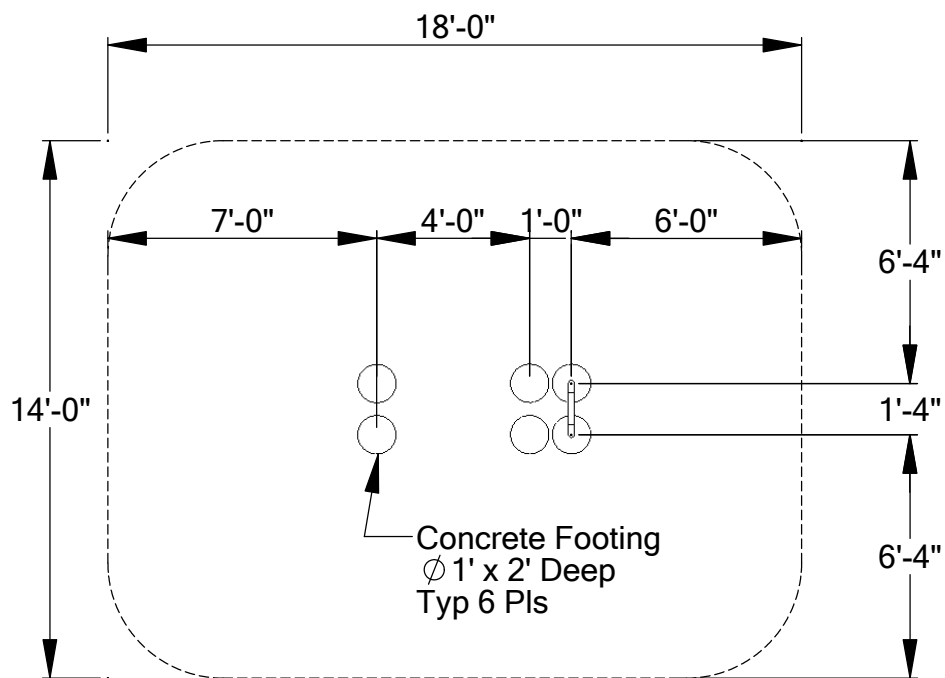
ITEM NO.	PART NUMBER	DESCRIPTION	QTY.
1	603-906	6' Alum. Board	3
2	603-505	Angles	2
3	503-216	Legs	4
4	513-615	Toe Bar	1
5	605-506	Clips	12
6	116-512	5/16" x 3" Hex Head Bolt	4
7	126-504	5/16"x 1" Carriage Bolt	12
8	316-501	5/16" Flat Washer	16
9	216-501	5/16" Hex Nut	16



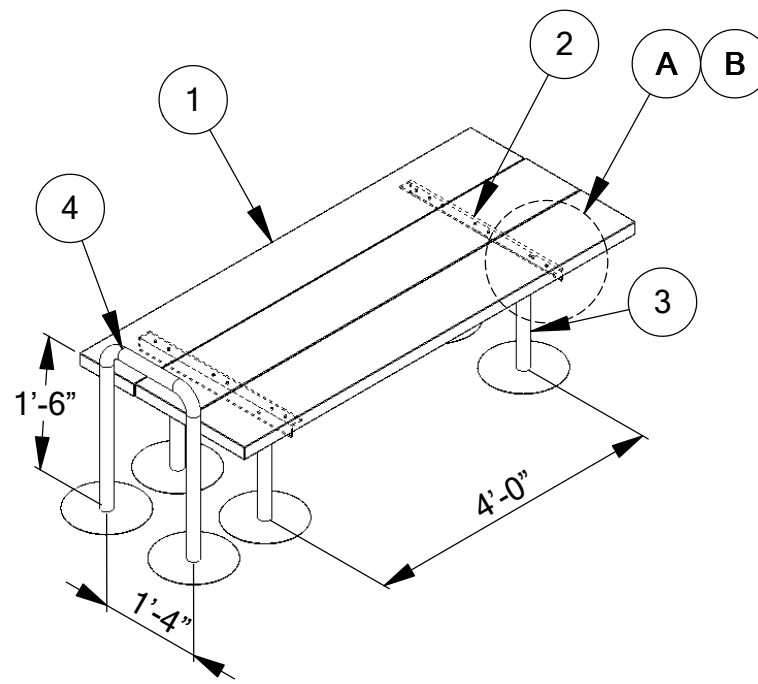
DETAIL A
Typ 12 Pls



DETAIL B
Typ 4 Pls



Footing Diagram



5

↑

4

3

2

1