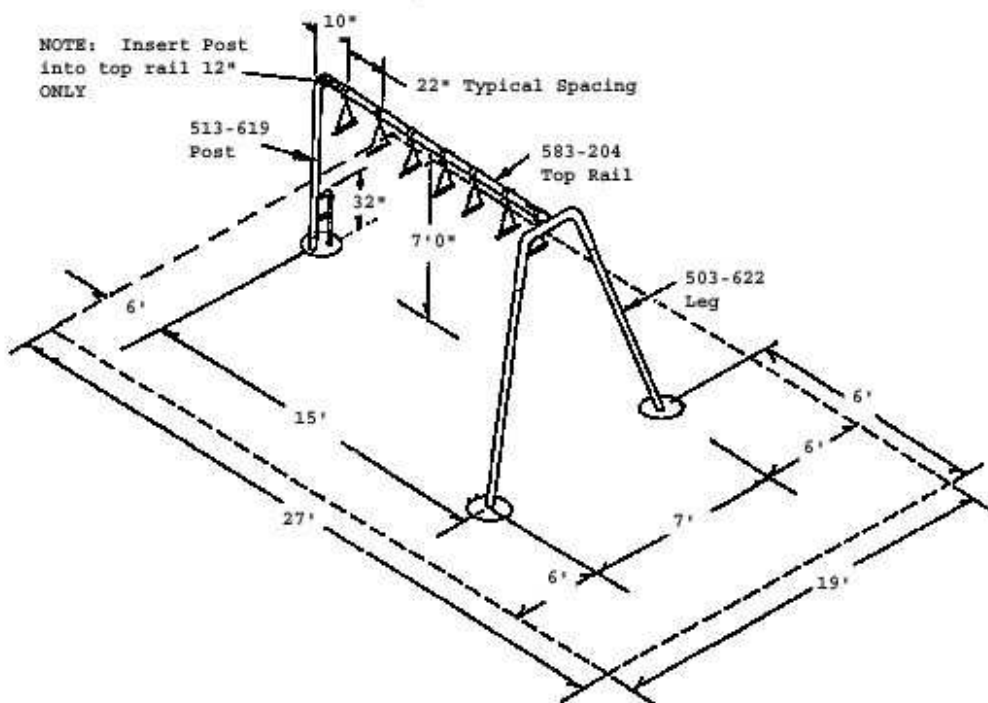


IMPORTANT *

PLEASE RETAIN THIS INSTRUCTION SHEET IN YOUR FILES. IT CONTAINS IMPORTANT REPLACEMENT PARTS INFORMATION. ALL EQUIPMENT SHOULD BE INSTALLED IN ACCORDANCE WITH THESE INSTRUCTIONS.

IT IS IMPORTANT TO USE AND MAINTAIN ALL PUBLIC PLAYGROUND EQUIPMENT PROPERLY. PLAYGROUND EQUIPMENT, WHICH IS IMPROPERLY MAINTAINED, CAN CAUSE SERIOUS INJURY. PERIODICAL INSPECTIONS, MAINTENANCE, REPAIR AND/OR REPLACEMENT OF DAMAGED PARTS IS NECESSARY FOR SAFE OPERATION OF EQUIPMENT AND SAFETY OF USERS. RESILIENT SURFACING SHOULD BE USED UNDER ALL PLAYGROUND EQUIPMENT. APPROPRIATE PUBLICATIONS, AVAILABLE AT NO CHARGE, FROM THE CONSUMER PRODUCT SAFETY COMMISSION, INCLUDE "A HANDBOOK FOR PUBLIC PLAYGROUND SAFETY." YOU CAN RECEIVE YOUR FREE COPY BY CALLING 1-301-504-7908.



PACKING LIST

1 CTN	1	Hardware Bag
	7	514-501 Bottom Clamp Half
	7	545-512 Top Clamp Half
	7	513-206 Swing Bars
1 PIPE	1	583-204 Top Rail
1 WF	1	583-522 End Fitting
1 WF	1	513-619 Post 2 7/8" OD x 11' Lg
2 PIPE	2	503-622 Leg 2 3/8" OD x 9' Long

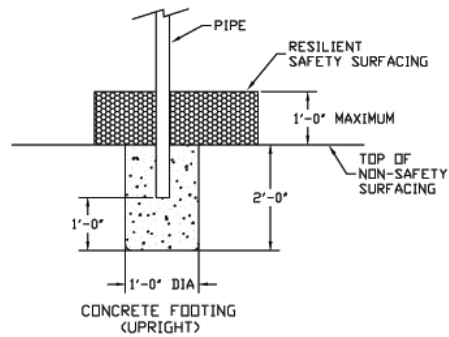
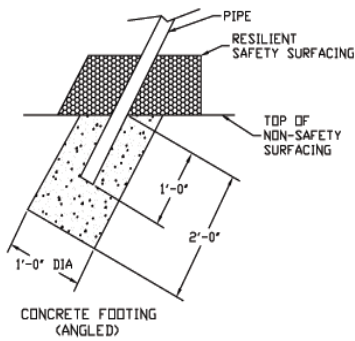
HARDWARE BAG

6	196-803	1/2" x 3/4" Socket Set Screw
1	416-400	1/4" Socket Set Key
14	126-505	5/16" x 1 1/4" Carriage Bolt
14	226-501	5/16" Lock Nuts
14	316-501	5/16" Flat Washers
1	805-532	Warning Label
1	805-534	SportsPlay Label
1		Maintenance Checklist

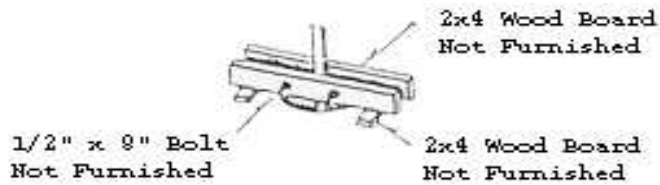
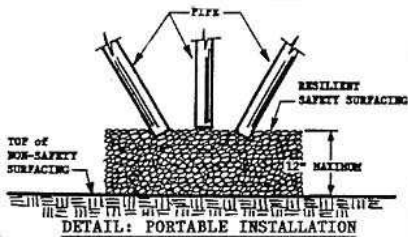
1 CTN	2 WF	3 PIPE	6 TOTAL PCS	WT 220#	CLASS 70
-------	------	--------	-------------	---------	----------

GENERAL USE/FALL ZONE & FOOTING RECOMMENDATIONS

STATIONARY & PORTABLE EQUIPMENT - USE/FALL ZONES SHOULD EXTEND A MINIMUM OF 6 FEET IN ALL DIRECTIONS FROM THE PERIMETER OF THE EQUIPMENT GROUND SPACE. THIS AREA SHOULD BE COVERED WITH THE REQUIRED AMOUNT OF RESILIENT SAFETY SURFACING MATERIAL. FOR SOME EQUIPMENT - USE/FALL ZONES CAN OVERLAP. SEE CONSUMER PRODUCT SAFETY COMMISSION GUIDELINES. DIAMETER & DEPTH OF FOOTING ILLUSTRATED ARE SATISFACTORY IN MOST APPLICATIONS FOR PIPE SIZES UP TO 2 3/8" DIAMETER. VARYING SOIL & CLIMATIC CONDITIONS MAY REQUIRE DEEPER & HEAVIER FOOTINGS IN SOME AREAS. CHECK LOCAL BUILDING CODES.

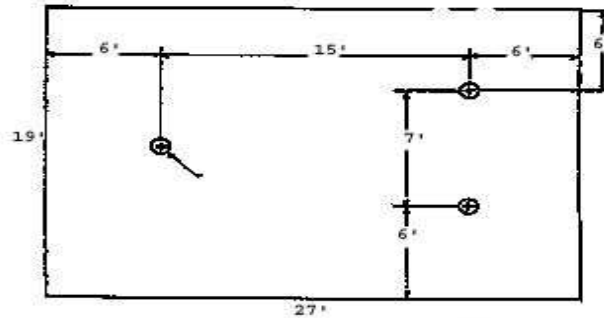


* If resilient surfacing is to be less than 12", then additional pipe should be put in concrete to maintain proper finish grade for equipment.



Suggested Bracing Method

USE AREA & FOOTING LAYOUT:



GENERAL ASSEMBLY INSTRUCTIONS:

Check all the parts and hardware with the packing list to be sure you have received everything needed to assemble this product. CONTACT YOUR LOCAL DISTRIBUTOR NOTIFICATION OF ANY MISSING OR DAMAGED PARTS. Contact must be made within ten days of receipt of your order.

Only hand-tighten nuts & bolts on initial assembly. Final tightening should be done EVENLY after final assembly when unit has been plumbed & leveled. After assembly is complete, ANY ENDS OF BOLTS PROTRUDING BEYOND NUTS SHOULD BE CUT OFF AND/OR PEENED OVER TO REMOVE ANY SHARP EDGES. Go over entire unit to file smooth any sharp edges or projections that may have been caused by rough handling in shipping or installation. T-Clamps are designed for both one and two bolt connections. In many situations only one bolt is required. See specific assembly instructions. On products with platforms install 1 - 2 degrees off level to facilitate water drainage.

GENERAL MAINTENANCE INSTRUCTIONS:

Check MONTHLY for loose bolts, damaged or broken parts. Tighten and/or replace immediately.

SPECIFIC ASSEMBLY INSTRUCTIONS:

- NOTE: All threaded ends of bolts protruding beyond nuts must be cut off and/or peened to eliminate sharp edges. No more than two threads should extend beyond face of nut.
All washers, "T" nuts, and other fastener hardware used on round pipe or tubing must be hammered down to conform to the curved underlying surface to eliminate catch points.
- STEP #1: Mark & dig footing holes per SKETCH on PAGE #2.
- STEP #2: Attach Legs (503-622) to End Fitting (583-522).
- STEP #3: Attach Top Rail (583-204) to End fitting.
- STEP #4: Mark top of Post (513-619) 12" from top end and slide into Top Rail.
- STEP #5: Raise top rail by pivoting end post. Slide unit into footing holes & brace to desired level so that 24" of pipe will be under intended level of resilient surfacing.
- STEP #6: Working with one unit at a time, pull the cotter pin from a swing hanger & pull pin to remove bearing hooks. Slip top of S-hook on swing bar thru bearing hooks and close the S-hook to within .04" gap using an S-hook pliers or pounding with a hammer. Repeat for all seven-swing hangers.
- STEP #7: Assemble top portion of swing bar hangers on top rail positioning as shown on Page #1. Start with first hanger 10" from centerline of Post (513-619).
- STEP #8: Attach swing bars with closed S-hooks on bearings to hangers by reversing procedure in STEP #6.
- STEP #9: Plumb & level entire unit. Tighten all nuts until lock washers are flat. Use short length of pipe on end of socket key to add leverage on tightening socket set screws. Pour concrete. Wait 48 hours before removing braces, applying resilient surfacing or using equipment.
- NOTE: DO NOT OVERTIGHTEN NUTS ON SWING HANGERS - SWING HANGERS MUST MOVE FREELY.
- STEP #10: Attach warning label and manufacturer's identification label to a clean surface. The labels should be attached in a location where they are clearly visible and eligible and away from normal hand and foot placement areas. The labels must be replaced if they become illegible, destroyed, or removed. Contact your distributor for replacement labels.