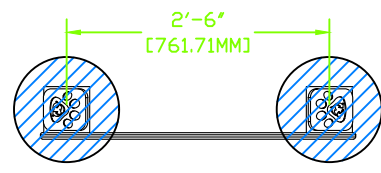
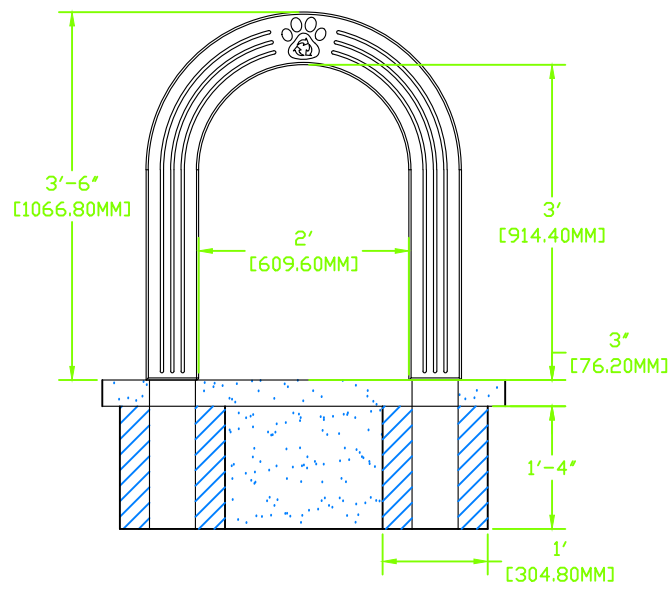


8 7 6 5 4 3 2 1

D
C
B
A



PROPRIETARY AND CONFIDENTIAL
THE INFORMATION CONTAINED IN THIS
DRAWING IS THE SOLE PROPERTY OF
PLAYTOPIA, INC. ANY REPRODUCTION IN
PART OR AS A WHOLE WITHOUT THE
WRITTEN PERMISSION OF PLAYTOPIA, INC.
IS PROHIBITED.

		UNLESS OTHERWISE SPECIFIED	NAME	DATE	
		DIMENSIONS ARE IN INCHES	DRAWN	TSM	10/13
		TOLERANCES:	CHECKED		
		FRACTIONAL ±	ENG APPR.		
		ANGULAR: MACH ± BEND ±	MFG APPR.		
		TWO PLACE DECIMAL ±	QA		
		THREE PLACE DECIMAL ±	COMMENTS:		
		INTERPRET GEOMETRIC TOLERANCING PER:			
		MATERIAL			
		FINISH			
NEXT ASSY	USED ON	APPLICATION			
		DO NOT SCALE DRAWING			
TITLE: GREEN PAWS GREYHOUND LOOPS					REV
					SIZE DWG. NO.
B	GP-012				
NO SCALE	WEIGHT:				SHEET 1 OF 2

8 7 6 5 4 3 2 1

8

7

6

5

4

3

2

1

D

C

B

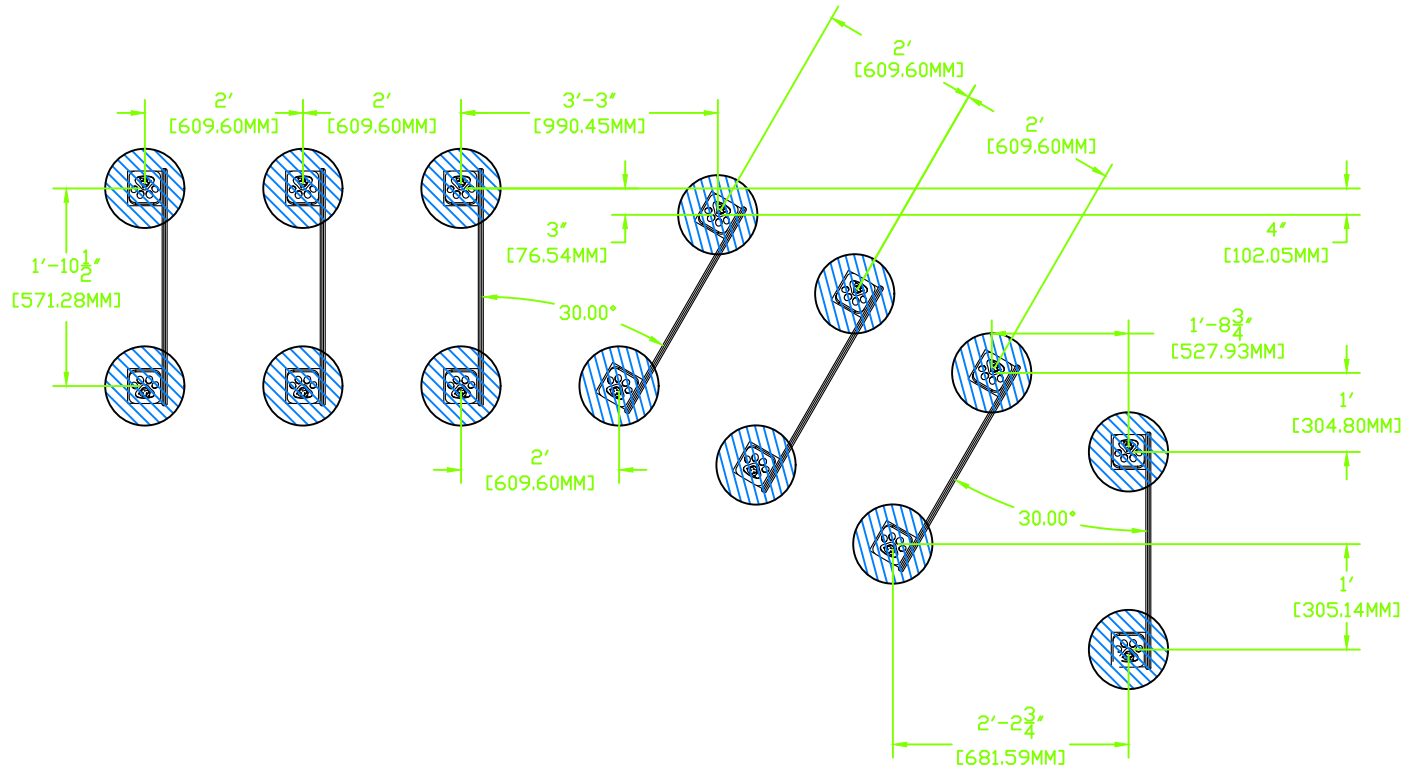
A

D

C

B

A



NOTE: THE FOLLOWING LAYOUT IS A SUGGESTION ONLY. THE GREYHOUND LOOPS CAN BE INSTALLED IN ANY CONFIGURATION. GENERAL GUIDELINES ARE TO SPACE EACH LOOP AT 24' POST TO POST ON-CENTER.

PROPRIETARY AND CONFIDENTIAL
 THE INFORMATION CONTAINED IN THIS DRAWING IS THE SOLE PROPERTY OF PLAYTOPIA, INC. ANY REPRODUCTION IN PART OR AS A WHOLE WITHOUT THE WRITTEN PERMISSION OF PLAYTOPIA, INC. IS PROHIBITED.

		UNLESS OTHERWISE SPECIFIED:		NAME	DATE	TITLE: GREEN PAWS GREYHOUND LOOPS	
		DIMENSIONS ARE IN INCHES		DRAWN	TSM		
		TOLERANCES:		CHECKED			SIZE DWG. NO. REV B GP-012
		FRACTIONAL ±		ENG APPR.			
		ANGULAR: MACH ± BEND ±		MFG APPR.			NO SCALE WEIGHT: SHEET 2 OF 2
		TWO PLACE DECIMAL ±		Q.A.			
		THREE PLACE DECIMAL ±		COMMENTS:			
		INTERPRET GEOMETRIC TOLERANCING PER:					
		MATERIAL:					
		FINISH:					
NEXT ASSY	USED ON	APPLICATION		DO NOT SCALE DRAWING			

8

7

6

5

4

3

2

1