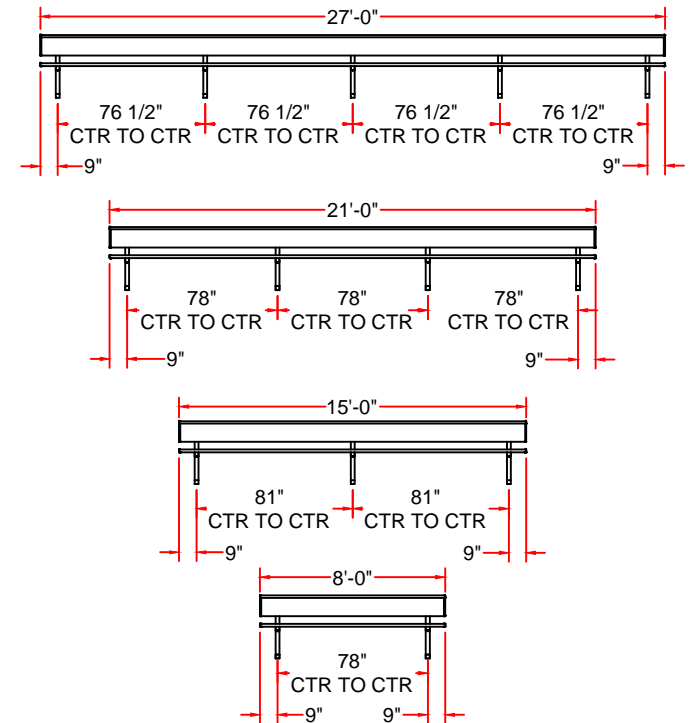


DETAIL A-A

PLEASE NOTE:

- 1) FOR SAFE OPERATION AND CONTINUED HIGH PERFORMANCE FROM THIS EQUIPMENT, INSPECTION AND MAINTENANCE MUST BE PERFORMED BEFORE EACH USE.
- 2) USE OF THIS EQUIPMENT OTHER THAN INTENDED MAY BE HAZARDOUS.
- 3) ALTERATION OR MODIFICATION OF EQUIPMENT MAY BE HAZARDOUS. FOR REPAIR OR REPLACEMENT, PLEASE CALL YOUR DEALER.



DRAWN BY: J.A. / A.T./M.T. | DATE: 1/25/2011

PRODUCT NAME:

PLAYER BENCH WITH SHELF

MODEL NO:

PBS-10/PBS-20/PBS-80/PBS-90

**JAYPRO SPORTS**  
**PLAYER BENCH WITH SHELF PBS-10/PBS-20/PBS-80/PBS-90**  
**LIST OF MATERIALS**

PIECE #	PART #	DESCRIPTION	PBS-10	PBS-20	PBS-80	PBS-90
1	AR5044	BOLT CLIP	32	24	16	40
2	AR5045A	END CAP	8	8	8	8
3	HB5030	5/16"-18 x 3" CARRIAGE BOLT	32	24	16	40
4	HN5046	5/16" FLANGE NUT	32	24	16	40
5	HS5035	#8 ZP PAN HEAD SCREW x 1/2"	16	16	16	16
6	EP0018	2" x 2" END PLUG	16	12	8	20
7A	AR5111	27' PLANK	N/A	N/A	N/A	4
7B	AR5052	21' PLANK	4	N/A	N/A	N/A
7C	AR5053	15' PLANK	N/A	4	N/A	N/A
7D	AR5079	7.5' PLANK	N/A	N/A	4	N/A
8	PBS-L	LEG FRAME	4	3	2	5

**ASSEMBLY INSTRUCTIONS**

**TOOLS REQUIRED:** Phillips Screwdriver Bit With Electric Drill (1),  
1/2" Socket Wrench or Adjustable Wrench (1)

- 1) Slip the end caps (2) snugly onto each end of each plank (7). Using the electric drill, assemble a self-drilling screw (5) through the cap and into the flange of the plank. Two screws are required per end cap. Carefully assemble 2" end caps (6) into bench legs (8).
- 2) For easiest assembly, position seat plank (7) on a level raised surface such as a desk top, bleacher seat or work bench. Place the carriage bolt (3) and bolt clips (1) approximately into place within the slots of the plank. Note that the outside legs should be no more than 8" from the plank edge or 9" from edge to center leg.
- 3) Position the legs (8) as shown and loosely assemble the hardware illustrated in detail 'A-A'. Do not fully tighten the hardware at this time.
- 4) Stand the unit upright and assemble the backrest plank (7) as illustrated. Level the bench and make sure the legs are adequately spaced apart. Tighten all fasteners fully.