

Two-Toned Receptacles

Single - ASM-T32 • Double ASM-2T32 • Triple - ASM-3T32

The Two-Toned Receptacles are stylishly designed rectangular receptacles that are available as single, double or triple units which are ideal for trash/recycling centers.

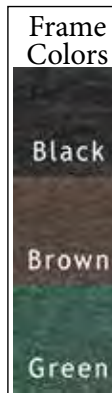
Made from recycled plastic 2x3 frames and sheet plastic panels. They include 32 gallon liners that are accessible through side doors fastened with a internal stainless steel piano hinge.

Available in Ornate or Slat Designs

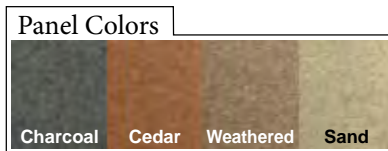


Single - **ASM-T32**
Brown Frame/Sand
Panels
Orante Design

*See back of page
for details and
measurements*



Double - **ASM-2T32**
Green Frame/
Weathered Wood Panels
Slat Design



Triple - **ASM-3T32**
Black Frame/Cedar Panels

TERRA BOUND
SOLUTIONS™



Proudly made
in the USA



Eco-Friendly Products



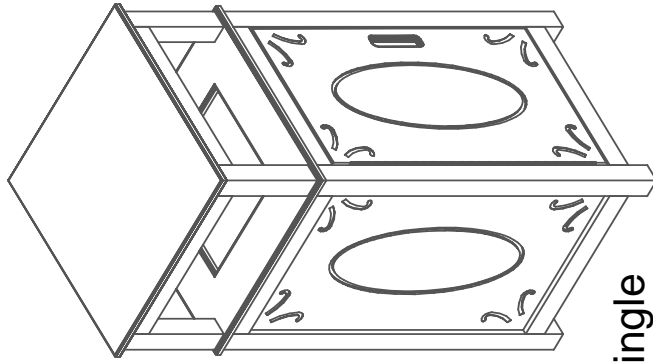
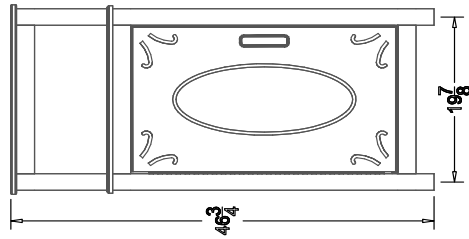
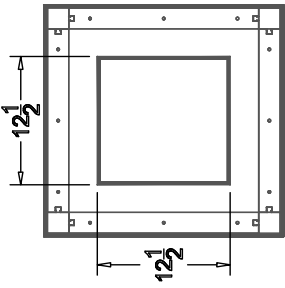
100% Recycled
Product



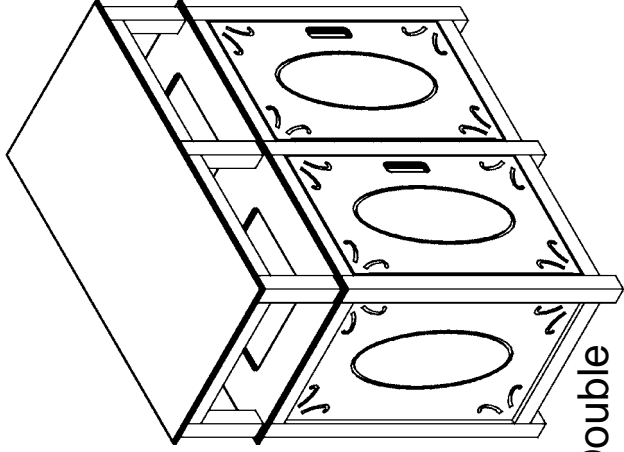
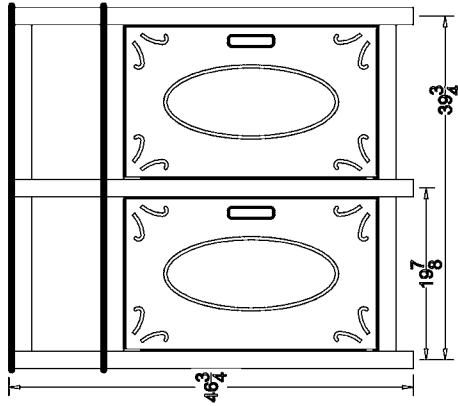
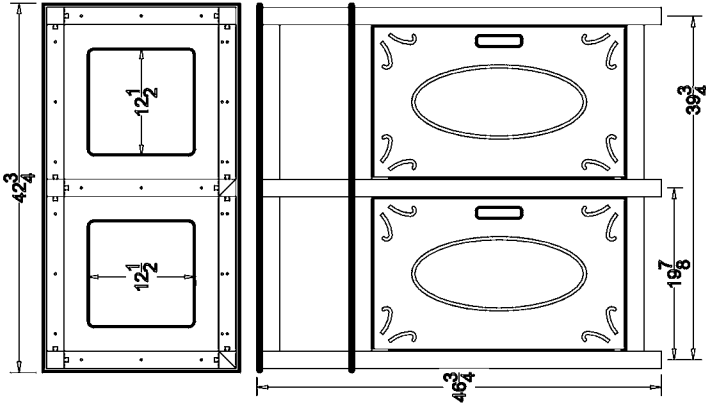
1-877-857-2915
terraboundsolutions.com

Two-Toned Receptacles - Single, Double & Triple

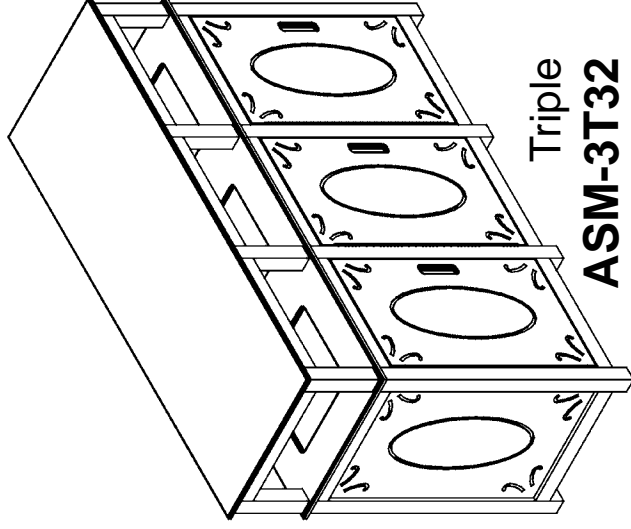
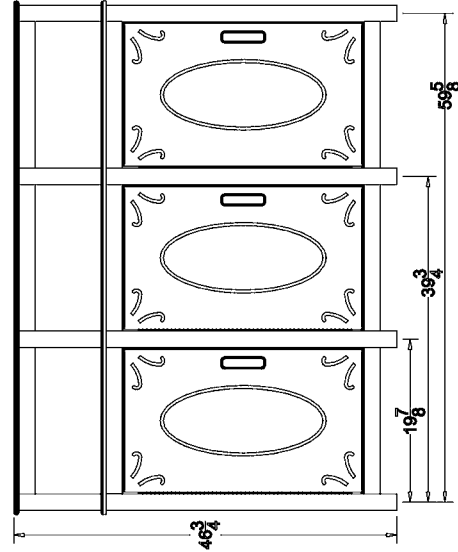
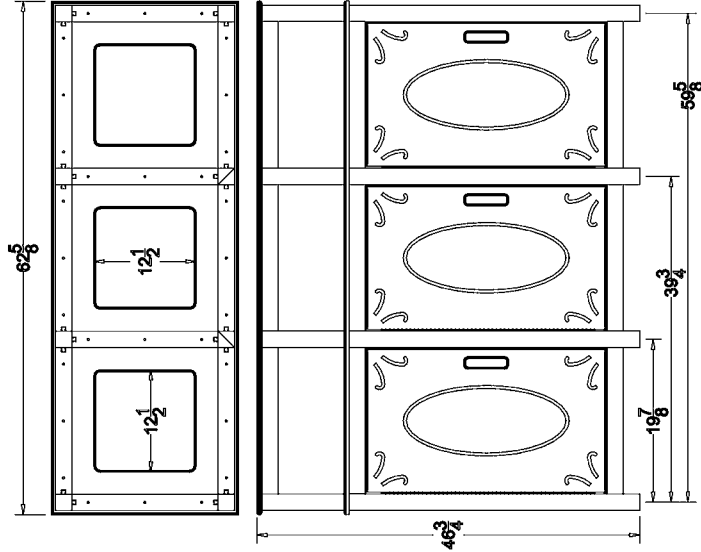
- Heavy duty/weather resistant/maintenance free!
- No need to stain or paint
- Resists fading, peeling and graffiti as the color is molded all the way through
- Can be surface mounted with brackets (sold separately)
- Stainless steel fasteners do not corrode nor rust
- Includes rigid liner for each receptacle



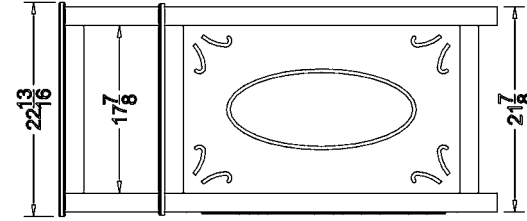
Single
ASM-T32



Double
ASM-2T32



Triple
ASM-3T32



Side View
(all sizes)

