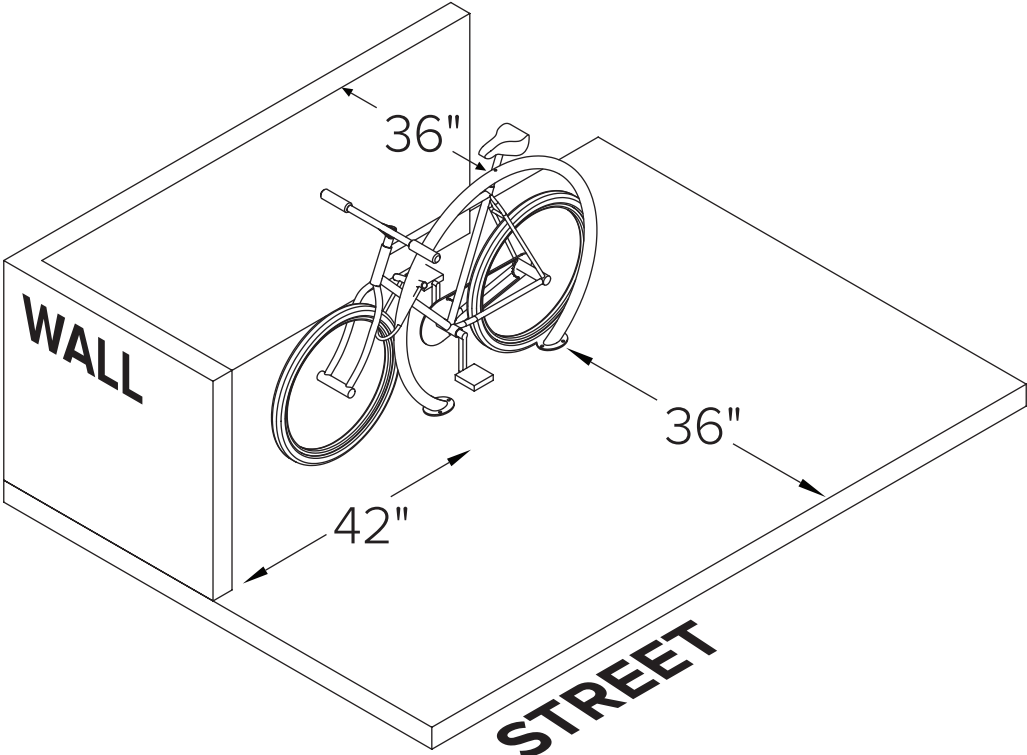


ROUND RACK
Setbacks



ROUND RACK

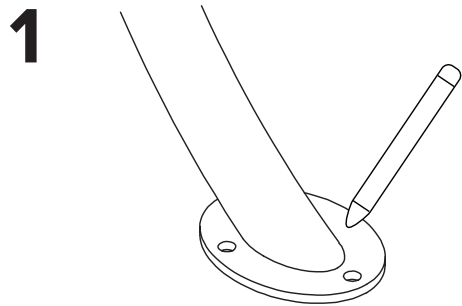
Installation Instructions – Surface Mount

TOOLS NEEDED

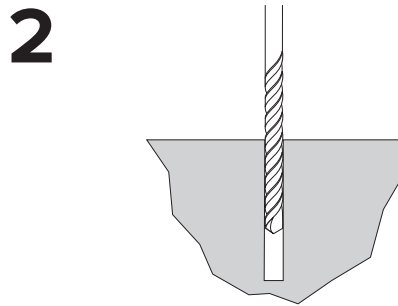
Tape Measure
Marker or Pencil
Masonry Drill Bit
Drill (Hammer drill recommended)
Hammer
Wrench 9/16"
Level

RECOMMENDED BASE MATERIAL

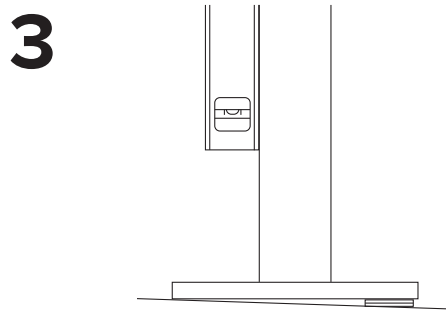
Solid concrete is the best base material for installation. To ensure the proper anchors are shipped with your rack, ask your Dero Rack representative which anchor is appropriate for your application. Be sure nothing is underneath the base material that could be damaged by drilling.



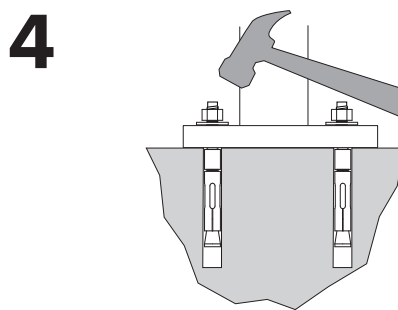
Place the rack in the desired location. Use a marker or pencil to outline the holes of the flange onto the base material.



Drill 3/8" diameter holes 3" deep into surface. Make sure the holes are at least 3" away from any cracks in the base material.



Place rack (and washers to level rack if necessary) over holes.



Thread nuts onto anchors, leaving approximately 1/4" of the anchor protruding, and tap into surface. Tighten nuts down to secure rack.

TERRA BOUND
SOLUTIONS™

ROUND RACK

Installation Instructions – In Ground Mount

TOOLS NEEDED

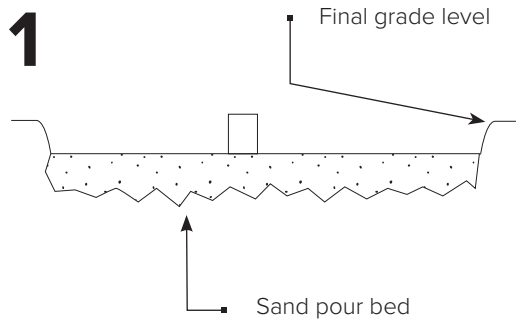
Level
Cement mixing tub
Shovel
Trowel

Hole coring machine with 4" bit
Access to water hose
Materials to build brace (see "Install Tip" at bottom of page)

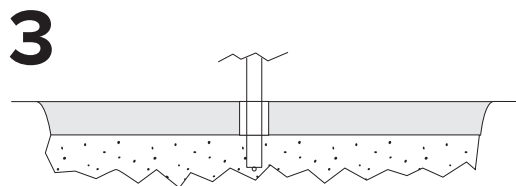
INSTALLING INTO EXISTING SIDEWALK

Core holes no less than 3" diameter (4" recommended) and 10" deep into sidewalk. Fill holes with Por-Rok or epoxy grout. Place rack into holes, making sure the rack is level. 33"-36" of the rack should remain above the surface. If the rack is less than 33" high, it will not support the bike adequately. Make sure the rack is level and held in place until the grout has set.

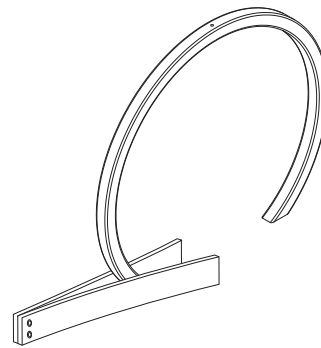
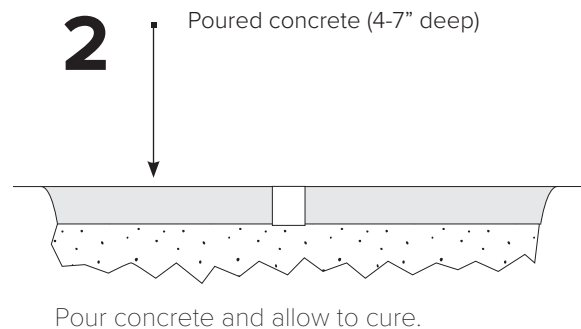
INSTALLING INTO A NEW SIDEWALK



Place corrosion resistant sleeve (min. 3" inside diameter) in sand pour bed in exact location where rack will be installed. Make sure top of sleeve is at same level as desired finished concrete surface. Fill sleeve with sand to keep it in place and prevent it from filling with concrete.



After appropriate cure time, dig out sand from sleeves and insert racks, making sure they are level and at the appropriate height. Pour in Por-Rok or epoxy grout and allow to set.



INSTALL TIP

An easy way to brace the rack while the grout sets is to bolt two 1x4" boards together at one end and clamp them onto the rack like a clothes pin.

TERRA BOUND
SOLUTIONS™

20020 Hickory Twig Way | Spring, TX 77388 | Toll Free: 1-877-857-2915