

## Installation and Operating Instructions

### Applicable Part Numbers/Models:

- UBG-500F: Ultimate Playground Breakaway Goal
- GBA-342A: Competitor Scholastic Breakaway Goal
- GBA-600: Competitor Pro Breakaway Goal
- GBA-542: SHOT for 42" Backboard
- GBA-548: SHOT for 48" Backboard
- GBA-642: REVOLUTION for 42" Backboard
- GBA-648: REVOLUTION for 48" Backboard



## **Table of Contents**

1	Safety.....	2
2	Specifications .....	2
3	Required Tools.....	3
4	Included Hardware & Components.....	3
	4.1 System Components.....	3
	4.2 Hardware.....	4
5	Assembly/Installation .....	4
	5.1 Install rim .....	4
	5.2 Install Net (GBA-542 & GBA-548).....	5
	5.3 Install Net (GBA-642 & GBA-648).....	6
6	Breakaway Force Adjustment .....	7
7	Maintenance .....	8
	7.1 Lubrication .....	8

# 1 Safety

- **WARNING:** Springs under extreme tension. Do not tamper with springs other than to adjust breakaway force as described in section 6.
- **IMPORTANT:** Only use white lithium grease when lubricating breakaway mechanism (as described in section 7.1).

# 2 Specifications

	NET ATTACHMENT STYLE	INITIAL BREAKAWAY FORCE	BREAKAWAY FORCE RANGE	MOUNTING BOLT PATTERN (FIGURE 2-1)	WEIGHT	FITS BACKBOARD SIZE
<b>UBG-500F</b>	No-Fail Netlock	180 lbs (82 kg)	160 lbs (61 kg) to 200 lbs(111kg)	4"(10.2cm) x 5"(12.7cm)	29 lbs (13 kg)	42"/48" <sup>1</sup>
<b>GBA-342A</b>	Pigtail	180 lbs (82 kg)	160 lbs (61 kg) to 200 lbs(111kg)	4"(10.2cm) x 5"(12.7cm)	27 lbs (12 kg)	42"/48" <sup>1</sup>
<b>GBA-600</b>	Hideaway	180 lbs (82 kg)	160 lbs (61 kg) to 200 lbs(111kg)	4"(10.2cm) x 5"(12.7cm)	27 lbs (12 kg)	42"/48" <sup>1</sup>
<b>GBA-542</b>	Pigtail	180 lbs (82 kg)	140 lbs (61 kg) to 250 lbs(111kg)	4"(10.2cm) x 4"(10.2cm)	27 lbs (12kg)	42"
<b>GBA-548</b>	Pigtail	180 lbs (82 kg)	140 lbs (61 kg) to 250 lbs (111 kg)	4"(10.2cm) x 5"(12.7cm)	27 lbs (12 kg)	42"/48" <sup>1</sup>
<b>GBA-642</b>	Hideaway	180 lbs (82 kg)	140 lbs (61 kg) to 250 lbs (111 kg))	4"(10.2cm) x 4"(10.2cm)	27 lbs (12 kg)	42"
<b>GBA-648</b>	Hideaway	180 lbs (82 kg)	140 lbs (61 kg) to 250 lbs (111 kg)	4"(10.2cm) x 5"(12.7cm)	27 lbs (12 kg)	42"/48" <sup>1</sup>

<sup>1</sup> May require modifications to edge pads when used on 42" backboard.

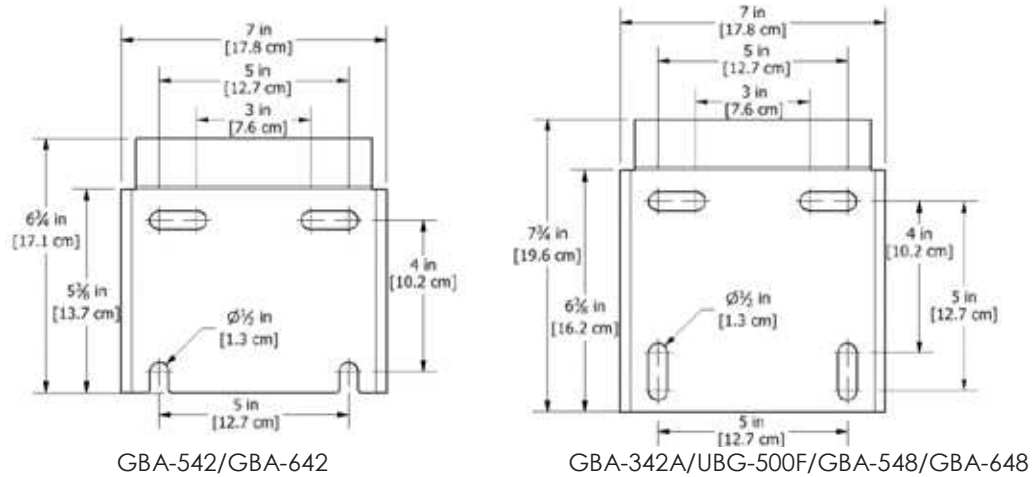


Figure 2-1: Mounting bolt patterns.

### 3 Required Tools

Before continuing, please verify that you have the following tools required to complete the installation and setup of your GBA Series Breakaway Rim.

- Adjustable wrench
- 9/16" socket, box, or open wrench (or 2<sup>nd</sup> adjustable wrench)
- #2 Phillips head screwdriver

### 4 Included Hardware & Components

Before continuing, please open all packages to verify that you have all the required hardware for installation and setup.

#### 4.1 System Components



Figure 4-1: GBA Series Breakaway Rim (1X, GBA-648 Shown). Figure 4-2: Anti-Whip Net (1X). Figure 4-3: Net Attachment Ring (1X), included w/ GBA-642 & GBA-648 ONLY.

## 4.2 Hardware



Figure 4-4: 3/8"-16 x 2-1/2" Hex Bolt (4X)



Figure 4-6: 3/8" Flange Nut (4X)



Figure 4-8: Spring tension adjustment wrench



Figure 4-5: 3/8"-16 x 4-1/2" Hex Bolt (4X)



Figure 4-7: 3/8" Washer (8X)



Figure 4-9: Spring tension adjustment pin



Figure 4-10: Screw, #12-24 (1X)

## 5 Assembly/Installation

### 5.1 Install rim

1. Remove cover plate from rim (Figure 5-1).

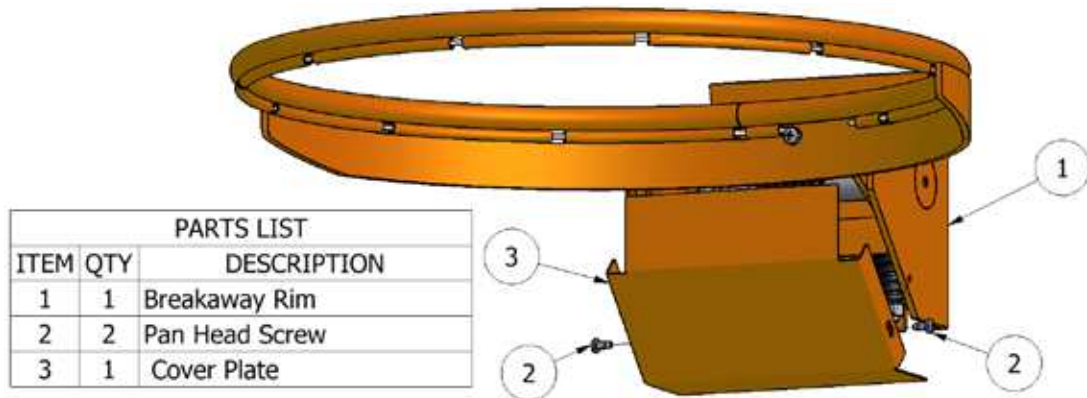


Figure 5-1: Cover plate removal/installation.

2. Attach rim to backboard as shown in Figure 5-2.

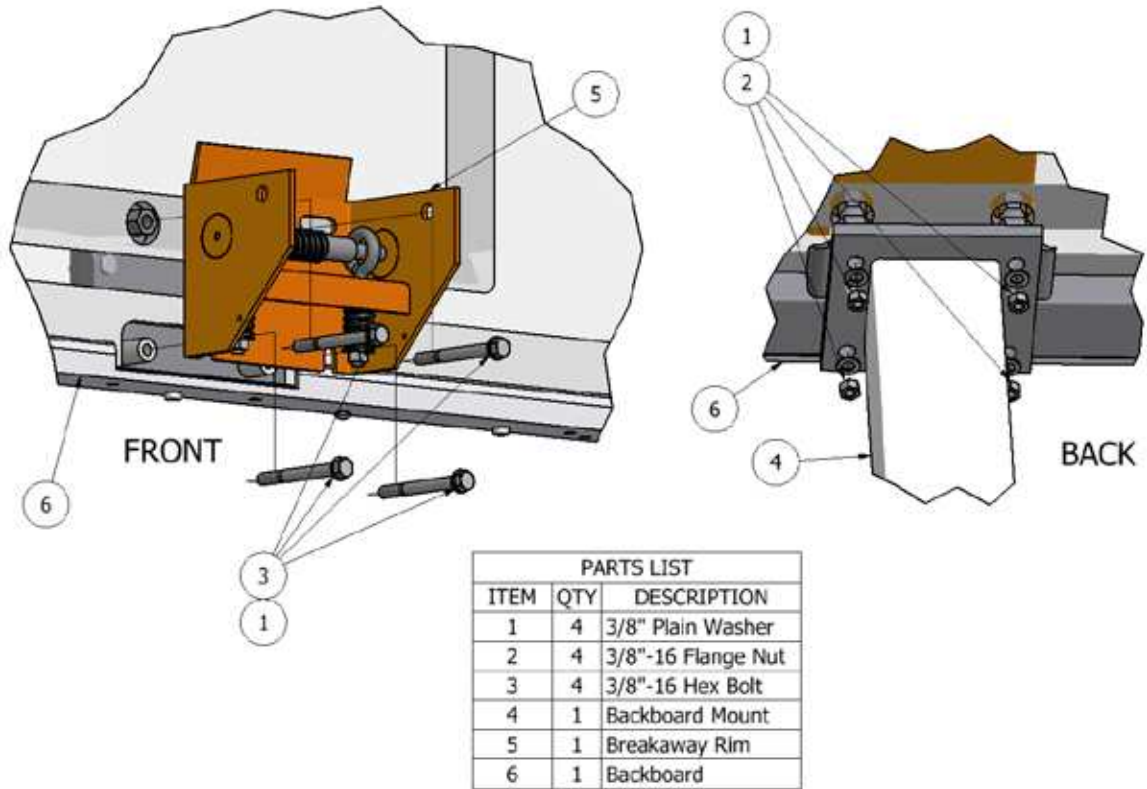


Figure 5-2: Attach rim to backboard.

3. Reinstall cover plate (Figure 5-1).

### 5.2 Install Net (UBG-500F, GBA-342A, GBA-542 & GBA-548)

If you have a GBA-600, GBA-642 or GBA-648, skip ahead to next section.

1. Install the net by wrapping the long loops in the net into the pigtails or NetLocks (Figure 5-3).

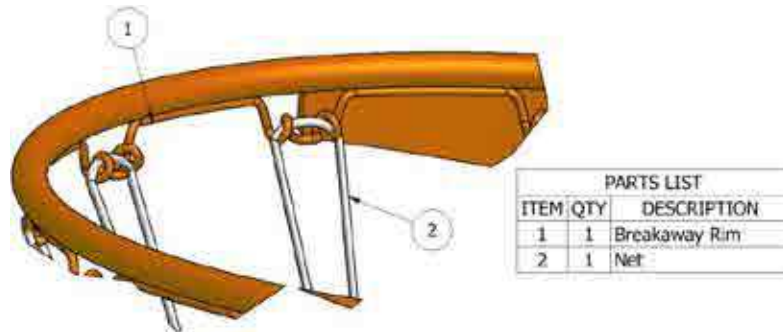


Figure 5-3: Net installation, UBG-500F (not shown), GBA-34A, GBA-542 & GBA-548 ONLY.

### 5.3 Install Net (GBA-642 & GBA-648)

If you have a UBG-500F, GBA-342A, GBA-542, or GBA-548, skip ahead to next section.

1. Insert the net attachment ring into the hideaway net tubes as shown in Figure 5-4.

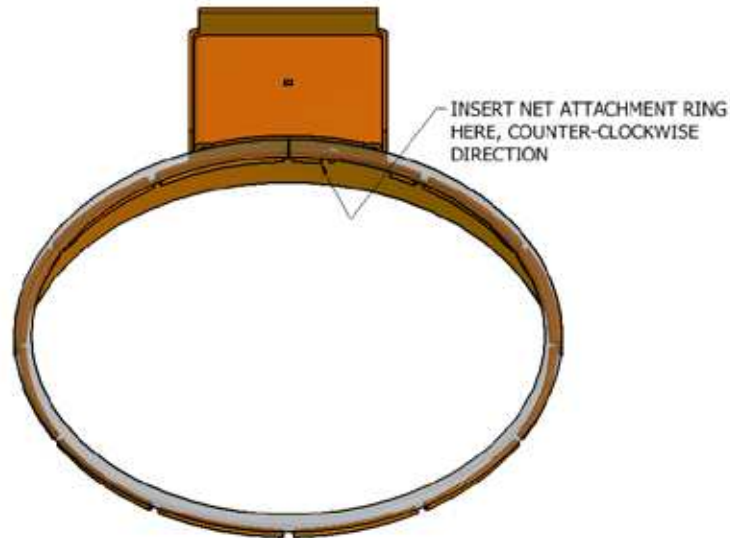


Figure 5-4: Insert Net Ring in counter-clockwise direction.

2. Pass the net attachment ring through the long loops in the net as the ring passes through the gaps between the hideaway tubes.

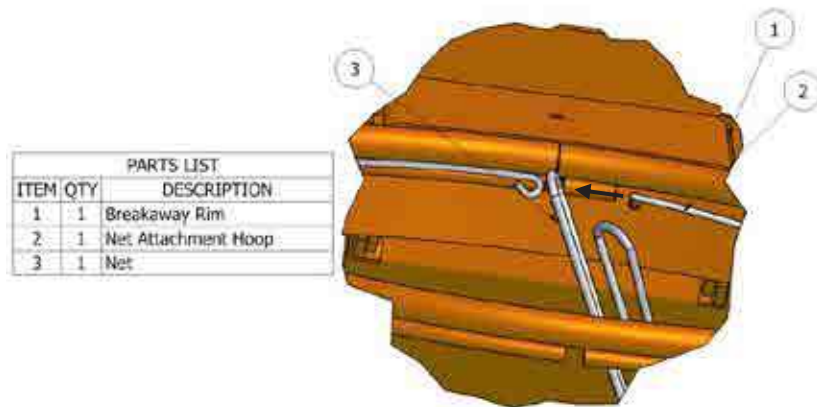


Figure 5-5: Pass net attachment ring through long net loops.

3. Once net is fully attached, screw net attachment ring to rim with #12-24 screw.

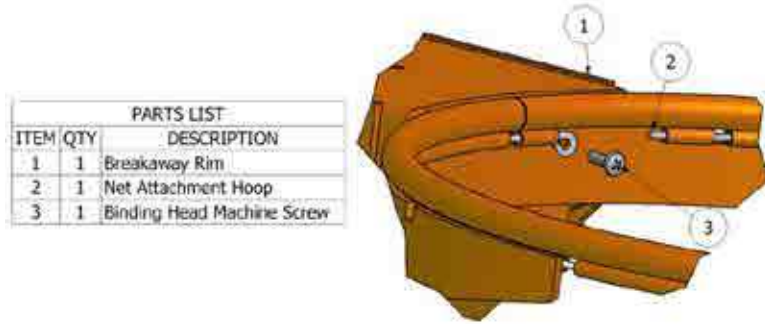


Figure 5-6: Screw net attachment ring to rim.

## 6 Breakaway Force Adjustment

**IMPORTANT: Only adjust the horizontal spring.**

1. Remove cover plate as shown in Figure 5-1.
2. Insert the supplied pin into the hole in the spring adjust mechanism. Use the supplied wrench to adjust the spring tension nut as shown in Figure 6-1.

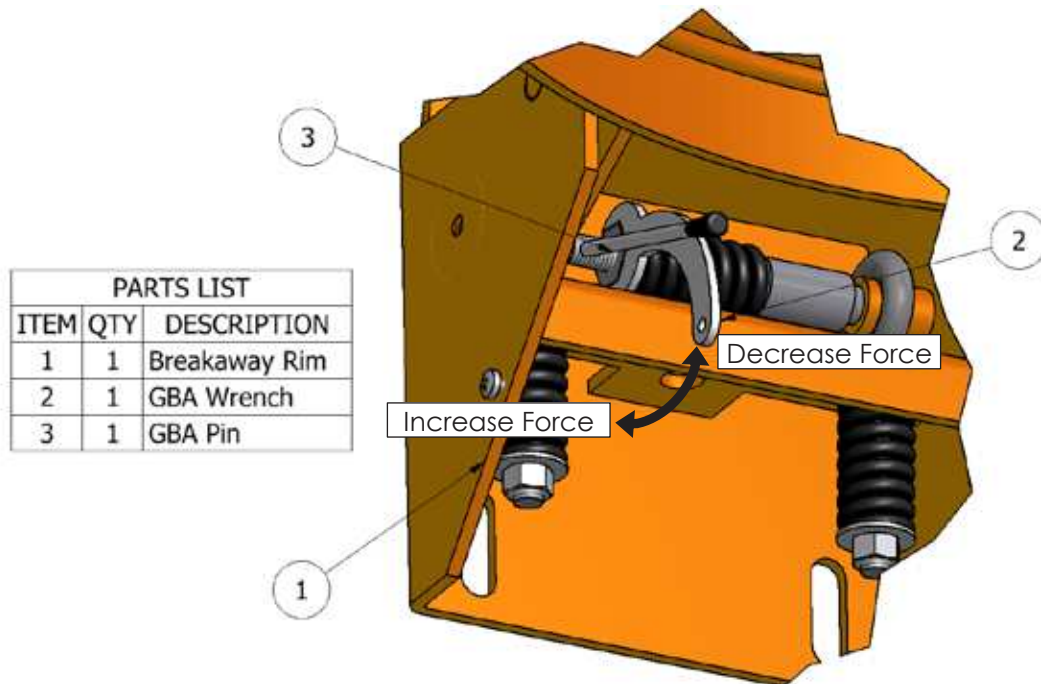


Figure 6-1: Adjust spring tension.

3. Reinstall cover plate.



## 7 Maintenance

Your GBA Series Breakaway Goal is designed to provide years of play; however, it is recommended that the components be inspected at least once every season, for signs of excessive wear. Key areas to inspect include (but are not limited to):

- Mounting hardware
- Remove cover plate and inspect internal components
- Net and net attachment components

### 7.1 Lubrication

You may also need to periodically lubricate the breakaway mechanism to maintain peak performance. If you notice that the force required to breakaway the rim is drifting upwards or if you begin to hear excess noise during breakaway, apply white lithium grease (VERY SPARINGLY) to the locations highlighted in Figure 7-1, below.



Figure 7-1: Lubrication locations.