

**--- FBSC-240 & FBSC-240EB ---**  
**(OFFICIAL SOCCER / FOOTBALL GOAL)**  
**Installation Instructions**



**FBSC-240 & FBSC-240EB COMBO GOAL**

**IMPORTANT NOTICE:**

- 1) BEFORE EACH USE CHECK EQUIPMENT FOR PROPER CONNECTING HARDWARE AND STRUCTURAL INTEGRITY. REPLACE DAMAGED OR MISSING HARDWARE IMMEDIATELY.
- 2) NEVER ALLOW ANYONE TO CLIMB OR HANG ON THE NET OR GOAL FRAME. AS SERIOUS INJURY OR DAMAGE TO THE EQUIPMENT MAY OCCUR.
- 3) USE OF THIS EQUIPMENT OTHER THAN INTENDED, MAY BE HAZARDOUS.
- 4) ALTERATION OR MODIFICATION OF THIS EQUIPMENT MAY BE HAZARDOUS AND RESULT IN INJURY.

**TOOLS REQUIRED:**

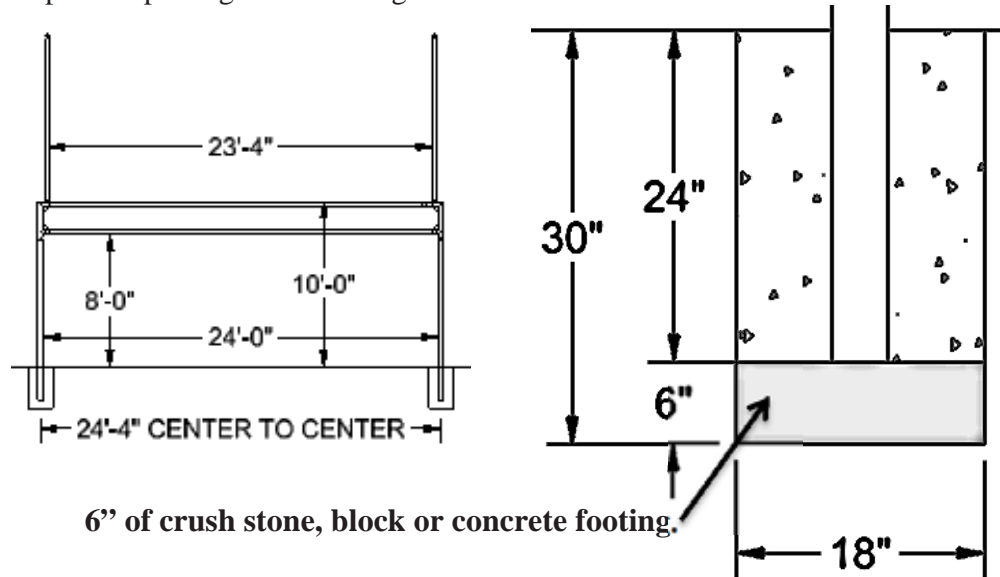
- (1) Socket and / or Box Wrench Set
- (1) Electric Drill with 1/4" Socket Bit or Driver
- (1) Step Ladder, 12 FT
- (1) Rubber Mallet

- Unpack all parts and check against parts list to ensure that all have been included.
- Inspect all parts for damage. Report any damages to the trucking company.

<b>ITEM</b>	<b>DESCRIPTION</b>	<b>FBSC-240</b>	<b>FBSC-240EB</b>
1	FRONT RIGHT CORNER WELDMENT	2	2
2	FRONT LEFT CORNER WELDMENT	2	2
3	4" DIA UPRIGHT EXTRUSION x 116" LONG	4	4
4	4" DIA CROSSBAR EXTRUSION x 278" LONG	2	2
5	FOOTBALL CROSSBAR x 278" LONG	2	2
6	FOOTBALL UPRIGHT x 120" LONG or 240" LONG	4	4
7	1.66" DIAMETER BACKSTAY BRACE	4	N/A
8	2-1/2" DOME CAP, AL.	4	4
9	GROUND STAKE	4	N/A
10	3/8"-16 x 3" HEX HEAD CAP SCREW ZP	8	8
11	3/8"-16 x 4-1/2" CARRIAGE BOLT, ZP	8	8
12	3/8" FLAT WASHER, SS	48	68
13	3/8"-16 THIN HEX HD LOCKNUT, ZP	20	24
14	#8 x 3/4" HEX HEAD FLANGE SELF DRILL SCREW, ZP	8	8
15	1.66" DIA EUROPEAN STYLE BACKSTAY	N/A	4
16	EUROPEAN BACKSTAY LOWER HUB	N/A	4
17	7/8" x 5" LONG BACKING BAR	N/A	4
18	3/8" MEDIUM SPLIT LOCK WASHER, ZP	16	28
19	3/8"-16 x 1 1/4" BUTTON HEAD, SS	16	28
20	3/8"-16 x 2 1/2" HX HEAD CAP SCREW, ZP	4	16
20	EC-824 (Optional if purchased)	2	2
21	NET (Optional if purchased)	2	2
22	Ground Sleeves (Optional if purchased PN: SGP-445G)	4	4
		<b>QTY (PAIR)</b>	

### **Site prep:**

1. Determine the proper location for the goal uprights on the playing field. The spacing between uprights is 24'-4" center to center. Dig the footing holes to the dimensions as shown on the illustration below. These are minimum suggested dimensions for average soil conditions.
2. For best results assemble the lower goal frame; uprights and crossbar assembly on the ground prior to placing in the footing.



**These are suggested dimensions for average soil conditions, consult local building codes.**

### **Semi-permanent installation: SGP-445G ground sleeve sold separately**

1. Note: Whenever goal is removed from ground sleeves for maintenance or storage, always cover the open end of the sleeve using the top cap provided.
2. Install ground sleeves as shown in drawing SGP-445G. Ground sleeves may be installed with or without using the goal frame itself.
3. If using goal frame to install sleeve in. Slide the sleeves onto the bottom of each upright and lower the assembled goal into the footing. Be careful to ensure that concrete does not enter the sleeve – recommend wrapping tape around goal upright & top of sleeve. Make sure the distance between the underside of the soccer crossbar and the playing surface measures 8 FT. Brace the structure to assure that it doesn't shift during curing process.
4. Wait for the concrete to fully cure according to the manufacturer's instructions. (A minimum of 48 hours)

### **Permanent installation:**

1. Lower the assembled goal (see frame assembly instructions) into the footing. Pay special attention to proper orientation with regards to the face side. Block beneath and around each upright, plumb the structure and pour the concrete. Check that the distance between the playing surface and the crossbar of the upright is 8'. Brace the structure to assure that it does not shift during the footing curing process.
2. Wait for the concrete to fully cure according to the manufacturer's instructions. (A minimum of 48 hours)

**Assemble lower goal frame:**

1. Loosely assemble the lower goal frame face down on a flat dry surface.
2. Then slide both soccer crossbar and football crossbar onto one corner piece; making sure all holes are properly aligned. See figure 1 & 2.
3. Slide the opposite corner piece onto the two crossbars.
4. Loosely install the crossbar hardware. Note the orientation of the carriage bolt heads.
5. After all bolts have been inserted, sink the carriage bolts by tapping the heads with a rubber mallet. Securely tighten all nuts.

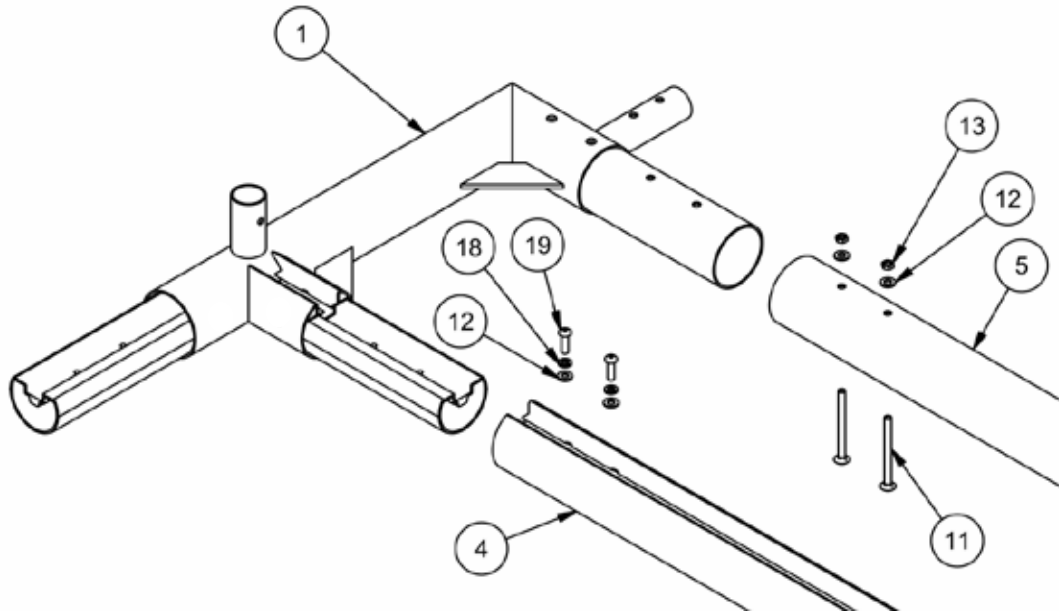


Figure 1: Install Corner Assembly

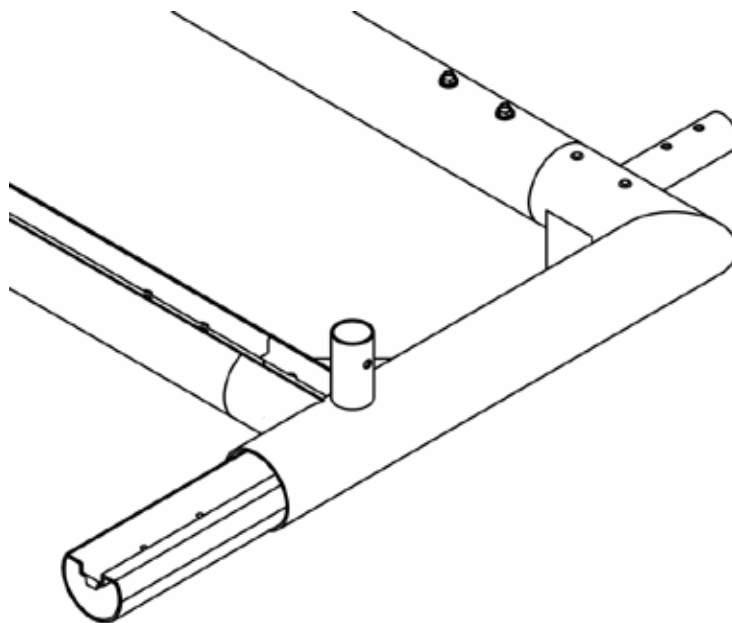
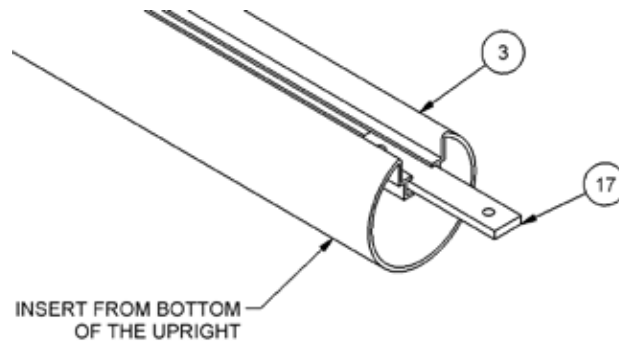


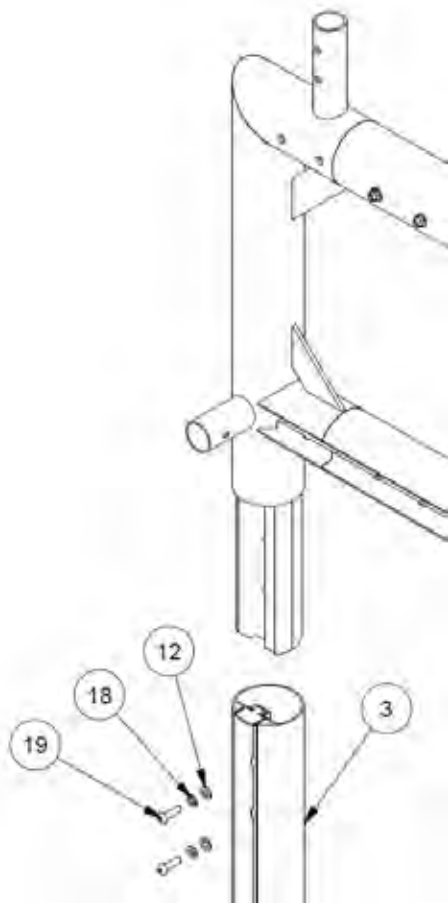
Figure 2: Assemble Both Corner Piece

### Assemble lower goal frame : Continue

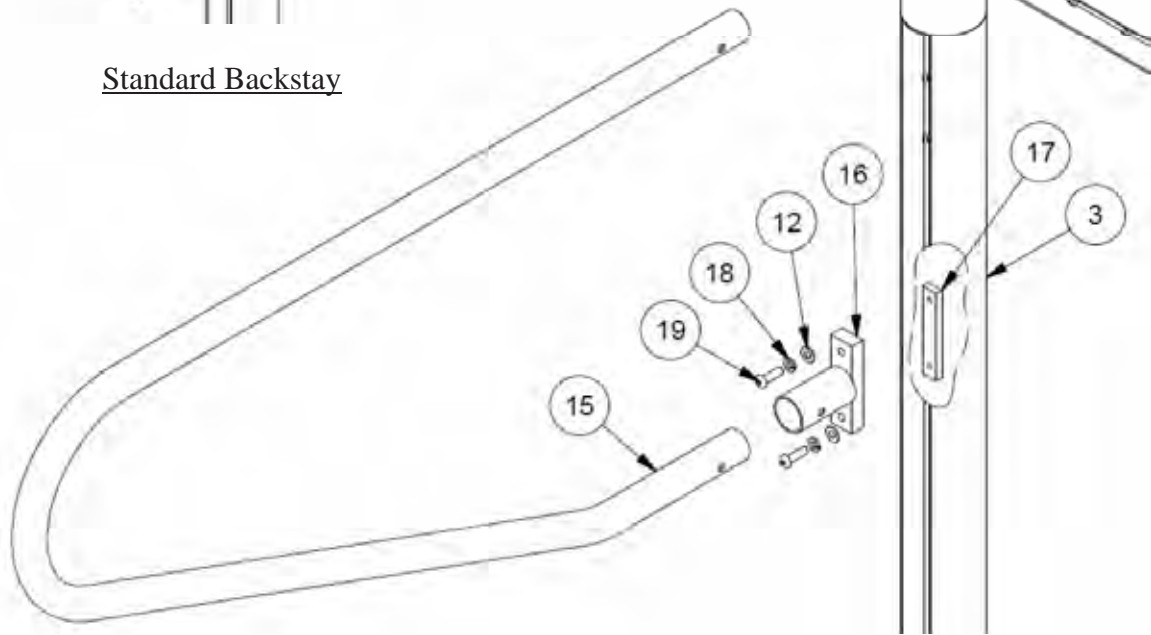
6. Install both lower uprights onto the crossbar assembly.
7. Install and secure hardware, noting the orientation of the carriage bolt heads.
8. If you have the model FBSC-240EB with European backstay – install the lower backstay hubs at this point.
  - a. Slide one 7/8" x 5" long backing bar (item 17) into the channel at the bottom of the upright (item 3). Slide the bar along the channel to about 30" from the top end of the upright.



- b. Attach the lower hub (item 16) to the backing bar as shown – leaving the hardware loose.
    - c. Properly position the lower hub by inserting the European backstay into both top and bottom hubs.
    - d. Tighten the hardware, securing the hub and **remove** the backstay for now.
    - e. Repeat process for the other side.
9. Stand the assembled lower goal frame and carefully place it into the footing or previously installed ground sleeve.



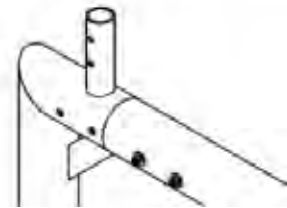
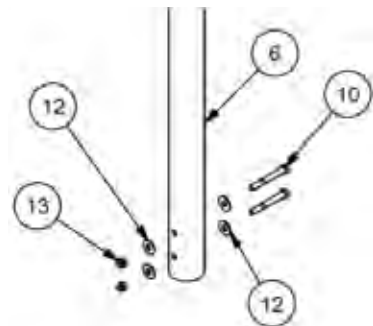
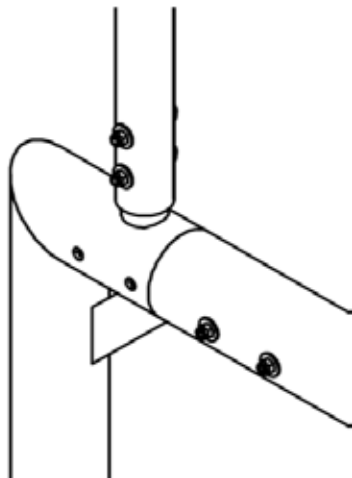
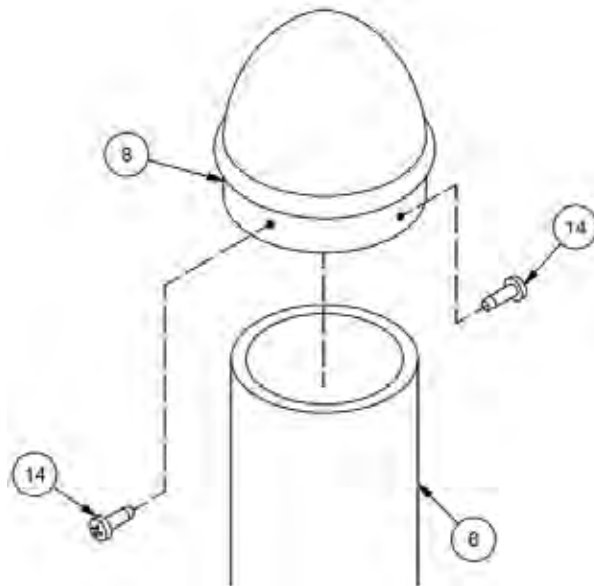
Standard Backstay



European Backstay

**Install football uprights:**

1. Install the end caps onto the top uprights as shown. The cap (item 8) goes onto the end without holes. Secure the cap with the self-tapping screw (item 14).
2. Using a 12 FT step ladder, install the top uprights (item 6) as shown below.



**Install soccer backstay and net:**

(Note: Always remove soccer net and backstay before football use)

1. Install the rear backstays into the hub of each corner piece. Anchor base of each rear backstay using a ground stake.
2. If you have the model FBSC-240EB with European backstay. Install the rear backstays into the hub of each corner piece. Anchor base of each rear backstay using the hardware as shown.
3. Locate the upper corner of the net. Draping the net over the rear backstays attach the net to the goal face using the easy clips provided.

