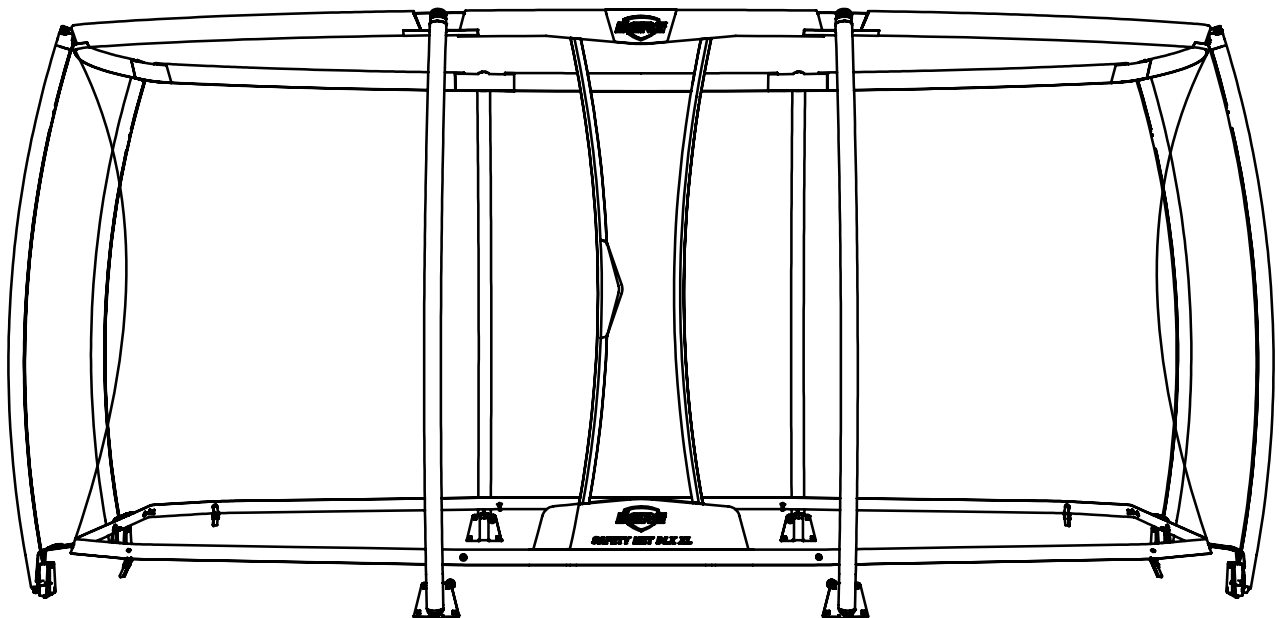


User manual
Mode d'emploi



35.72.56.00 - BERG Ultim Safety Net DLX XL 16ft

! WARNING

Read the instructions prior to assembling and using this trampoline.
Consult a physician before beginning any exercise program or strenuous activity.

! WARNING

MAXIMUM USER WEIGHT 265 lb (120kg)

! WARNING

The contents of this package is not suitable for children under 3 years of age. Contains small parts which may cause choking.
ADULT ASSEMBLY REQUIRED.

Index

1. Introduction
2. Product description
3. Warranty
4. Warnings - General Safety Advice
5. Assembly and installation instructions
6. Care and maintenance instructions
7. Use instructions
8. Installation instructions

1. Introduction

Thank you for choosing BERG as your trampoline enclosure purchase of choice. We are confident you will get many years of beneficial use and jumping pleasure.

This manual provides tips about assembly and safe use for many years of trouble-free use. Jumping on a trampoline is not dangerous as long as you follow the safety instructions.

Trampoline usage encourages active and healthy play. It has a positive impact on stress, physical condition and blood circulation. Trampoline jumping is for the young and young at heart!

Please check the local ordinances if any restriction are given on trampolines for domestic use, and please check your home insurance coverage on trampolines.

Read the instructions carefully and keep for future reference.

BERG wishes you a fun and active jumping experience!

2. Product description

- The frame of the BERG Trampoline enclosure is galvanized and powder coated to protect against corrosion.
- To ensure many years of enjoyment, The BERG trampoline enclosure is manufactured using high-quality materials-only. Proper maintenance and care promotes a long lifespan and injury prevention.

3. Warranty

3.1 Warranty period

- BERG trampolines are of excellent quality. To provide you with years of carefree fun on our trampolines, BERG offers you a functionality warranty. A functionality warranty is a warranty regarding its functional use. Please consult the table below for the term of this warranty (years).

Safety Net Deluxe	2 years
-------------------	---------

- Parts that are susceptible to wear and tear (eg. elastics), the influences of weather (eg. rust and discolouration) and the foam on the BERG safety net tubes are excluded from warranty.

3.2 Warranty conditions

The owner of the product can only claim warranty by presenting the original receipt of purchase. The warranty applies only to material and manufacturing defects related to the BERG product and related parts.

The warranty becomes nul and void if:

- The product is used improperly and / or negligently.
- The product is not assembled and maintained in accordance with the instruction manual.
- Technical repairs made to the product are not carried out in a professional manner.
- Replacement parts do not correspond to the technical specifications of the product in question or are installed incorrectly.
- Damage caused by the influences of weather such as rust, UV rays or normal wear and tear.
- The product is used for rental purposes or made available for usage by a 3rd party.
- During the warranty period, all material and construction assessed faults will be repaired or replaced by BERG. Repairs handled at no cost is applicable provided the product is still within its warranty period as stated in article 3.1.
- BERG warranty can only be honored if inspected by a BERG authorized dealer.
- BERG warranty can only be honored if the original proof of purchase is rendered to the BERG authorized dealer. Should the owner have re-located or the BERG dealer is no longer operational, BERG can recommend an alternative BERG dealership.
- If the warranty claim is not honored, all costs incurred must be paid by the owner.
- This warranty is not transferable to third parties.
- Not other Warranty beyond that specifically set forth above is authorized by BERG.
- BERG Toys is not responsible or liable for indirect, special or consequential damages arising out of or in connection with the use or performance of the product or other damages with respect to any economic loss, loss of property, loss of revenue or profits, loss of enjoyment or use, cost of removal, installation or other consequential damages.
- Some States do not allow the exclusion or limitation of incidental or consequential damages.
- Accordingly, the above limitation may not apply to you.
- The warranty extended hereunder is in lieu of all other warranties and BERG specifically disclaims any implied warranty of merchantability or fitness for a particular purpose is limited in its scope and duration to the terms set forth herein.
- Some States do not allow limitation on how long an implied warranty lasts.
- Accordingly, the above limitation may not apply to you.
- This warranty gives you specific legal rights. You may also have other rights, which vary from state to state.

Liability Disclaimer

- While every attempt is made to embody the highest degree of protection in all equipment, we cannot guarantee freedom from injury. The user assumes all risk of injury due to use, assembly, or transportation. All merchandise is sold on this condition, which no representative of the company can waive or change.

READ THIS FIRST!!!



WARNING

**Choking hazard - small parts
NOT for children under 3 years**

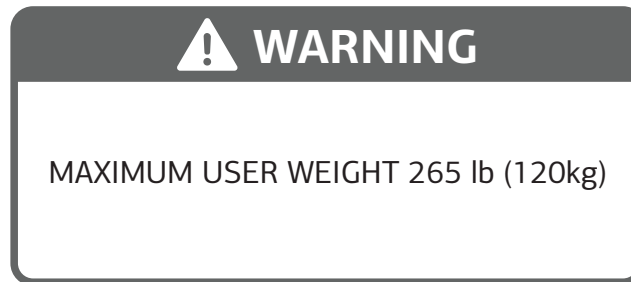
While every attempt is made to ensure the highest degree of protection in all equipment, we cannot guarantee freedom from injury.

All merchandise is sold on this condition, which no representative of the company can waive or change.

4. Warnings - General Safety Advice

IMPORTANT - PLEASE READ!

- Ensure the trampoline has been assembled correctly, per the instructions in the manual.
- It is essential that the intended site for this trampoline is completely flat and level. If the ground is not flat and level this will cause movement in the frame and could cause stress on the joined sections
- This trampoline set is over 1 foot 5 inches (51 cm) tall. It is only recommended for use by children 6+ years of age.
- Do not exceed the recommended maximum weight limit of:



- Do not allow more than one person on the trampoline. Use by more than one person at the same time can result in serious injury.
- Do not attempt or allow somersaults. Landing on the head or neck can cause serious injury, paralysis, or death, even when landing in the middle of the bed.
- Use trampoline only with mature, knowledgeable supervision.
- Not suitable for children under 36 months. Fall Hazard.
- Do not wear glasses or helmets when using the trampoline.
- Do not allow other person to go under, sit, stand, or lie on the trampoline or the frame pads while the trampoline is in use.
- Do not use the trampoline when under the influence of alcohol, drugs or medication which may impair the jumper's judgement and coordination.
- Always wear socks when using the trampoline.
- Always remove jewellery, belt buckles or any other sharp objects before using the trampoline.
- Always jump in the middle of the trampoline bed.
- Always follow the safety warnings stated with your trampoline instructions.
- Always secure the trampoline against unauthorized and unsupervised use.
- Never wear footwear (e.g. shoes) when using the trampoline.
- Children must never be left unattended at any time.
- Before using this product, inspect and replace any worn, defective or missing parts.
- Ensure the trampoline is on level ground with a minimum of 8 feet (2,5m) clear space around the sides, 24 feet (8m) clear height space above and that no obstructions are under the trampoline.
- Always watch for power lines, overhead cabling, and other hazards or obstructions above, around and below the location where you are installing your trampoline. Failure to do so can result in serious injury, death, and property damage for which BERG is not liable.
- Ensure the enclosure frame has been assembled correctly per the instructions in the manual.
- This enclosure is not a rebounding device, and it should never be used for any other purpose (play pen, dog run, etc.) or in a manner inconsistent with the information outlined in this manual.

IMPORTANT - PLEASE READ!

- We recommend using the enclosure of the correct type with the BERG trampolines.
- Any alterations to the construction or materials of this enclosure or deviations from the assembly instructions may result in unforeseeable safety compromises, and the consumer assumes all responsibility for doing so.
- Always ensure the entrance to be fully closed and secure before jumping on the trampoline.
- Always enter and exit the enclosure through the opening only. Use caution to prevent falls and / or accidental strangulation.
- Never attempt to crawl under or climb over the safety net or enter/ exit the enclosure area.
- If the netting material, or any other part of the enclosure becomes damaged, cease using the trampoline immediately until you obtain the necessary replacement parts.
- This safety net and enclosure is only intended to help prevent accidental falls from the trampoline bed / mat, and then only during recommended jumping exercises as described in the BERG trampoline manuals.
- Never attempt to rebound off, swing or hang from the safety net or enclosure poles, nor intentionally attempt to jump into or over the netting, as this may result in serious injury, paralysis or death and severe damage to the enclosure and trampoline. BERG is not responsible for any damage to the trampoline and enclosure or consequential injuries resulting from these practices.
- Never let children take items or toys into the enclosure.
- Always remove jewellery, belt buckles or any other sharp objects before using the enclosure.
- Never wear loose fitting clothing, items, or articles with hooks, loops or any features which can easily become snagged in the safety net.
- Mount and dismount from the trampoline and enclosure with care as injury may result. Children should be assisted when entering and exiting the trampoline to reduce risk of falling.
- The frame of your trampoline is made of steel and it will conduct electricity. No electrical equipment (lights, heaters etc.) should be permitted on or around the trampoline under any circumstance.
- Please read and refer to other warnings and use information in the trampoline instructions before use.
- Dispose of all packaging materials safely and per local ordinance.
- It is possible for the trampoline and safety net to be blown away by high wind. If you anticipate high winds, the trampoline and safety net should be moved to a sheltered location or disassembled. BERG is not responsible for any damage resulting from wind or extreme weather.
- We recommend to use the anchor kit which is available at BERG.

5. Assembly and installation instructions

- Adequate overhead clearance is essential. A minimum of 24ft (8m) from ground level is recommended. Provide clearance of wires, tree limbs, and other possible hazards.
- Lateral clearance is essential. Place the trampoline and trampoline enclosure away from walls, structures, fences and other play areas. Maintain a clear space on all sides of the trampoline and trampoline enclosure.
- Ensure the BERG trampoline is level after installation. A bubble level is recommended to help qualify.
- Use the trampoline in a well-lit area. Artificial illumination may be required for shady areas.
- Secure the trampoline and trampoline enclosure against unauthorized and unsupervised use.
- Remove any obstructions from beneath the trampoline and trampoline enclosure.
- The trampoline enclosure is only to be used as an enclosure for a trampoline of a size for which the enclosure is designed.
- The owner and supervisors of the trampoline are responsible to make all users aware of practices specified in the use instructions.
- Do not install the trampoline in extreme windy conditions. Wait until wind subsides.
- Gloves are recommended to be worn while installing the BERG trampoline.
- The trampoline should be assembled by an adult in accordance with the assembly instructions. BERG recommends reviewing final assembly prior to usage.
- For installation instructions, refer to page 10.
- For additional trampoline information, contact the manufacturer.
- Install accessories according to the installation manual / guide.
- Assembling of the trampoline comprises of fasteners and fittings with self-locking nuts. These self-locking nuts are for single use only. When disassembling and reassembling, the self-locking nuts must be replaced.

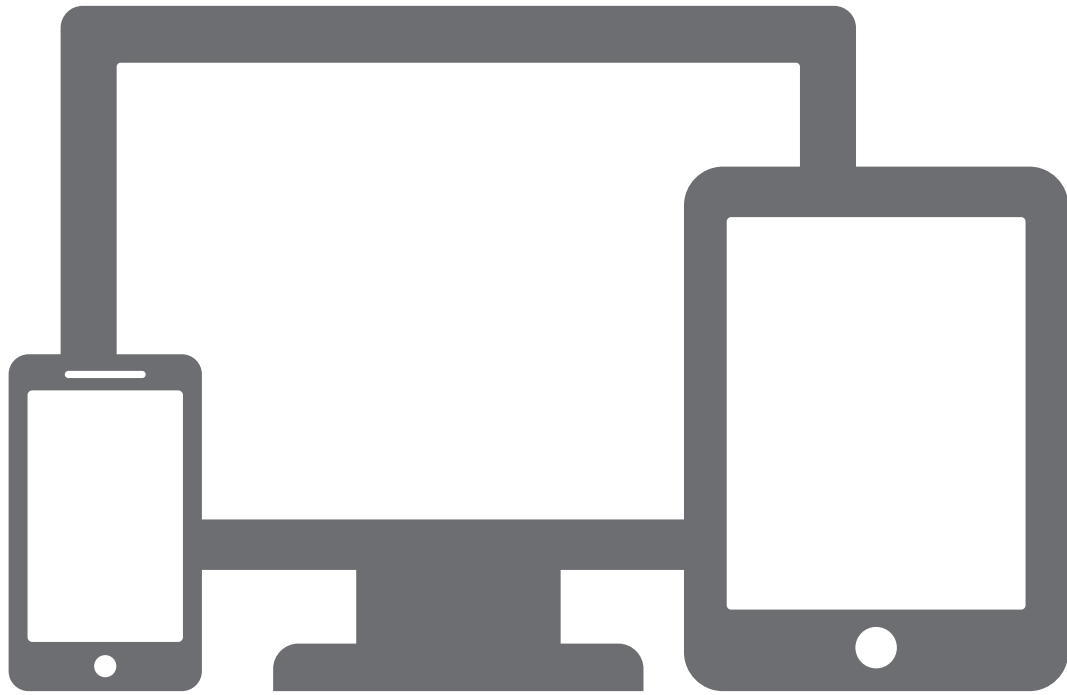
6. Care and maintenance instructions

- Inspect the trampoline enclosure before each use and replace any worn, defective, or missing parts. The following conditions could represent potential hazards:
 - 1) Missing, improperly positioned, or insecurely attached barrier or enclosure support system pole caps.
 - 2) Punctures, frays, tears, or holes worn in the barrier or support system (frame) padding.
 - 3) Deterioration in the stitching or fabric of the barrier or support system (frame) padding.
 - 4) Bend or broken support system (frame) or poles.
 - 5) Sagging barrier.
 - 6) Sharp protrusions on the support (frame) or suspension system.
- Ignoring inspections and neglecting maintenance can lead to dangerous situations and unnecessary risks for the user.

7. Use instructions

WARNING:

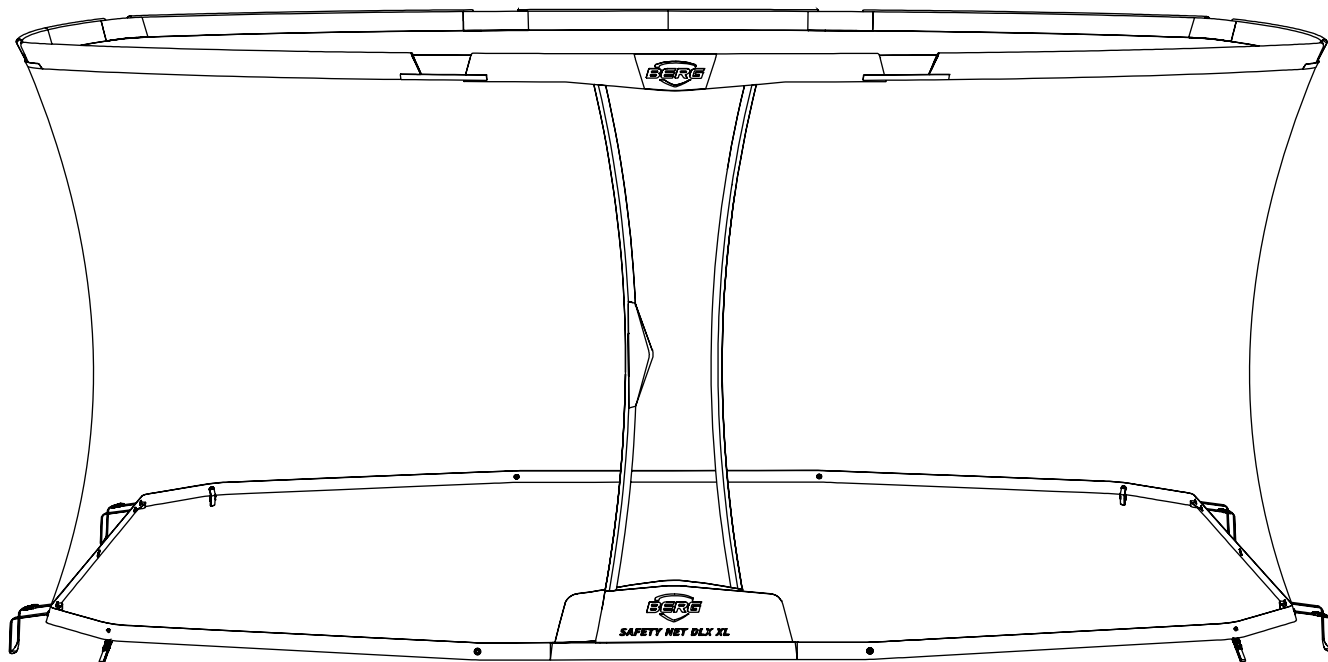
- Do not attempt or allow somersaults. Landing on the head or neck can cause serious injury, paralysis, or death, even when landing in the middle of the bed.
- Do not allow more than one person inside the trampoline enclosure. Use by more than one person at the time can result in serious injuries.
- Use trampoline only with mature, knowledgeable supervision.
- Inspect the trampoline enclosure before each use. Make sure the barrier and the enclosure support (frame) padding is correctly and securely positioned. Replace any worn, defective, or missing parts.
- Users may become entangled in or strangled by loose cords or in gaps between trampoline and enclosure.
- Keep enclosure tightly fastened to the trampoline in accordance with the manufacturer's instructions. Failure to properly assemble and maintain a tight, secure trampoline/enclosure boundary may result in serious injury, strangulation, or death.
- Do not attempt to jump over the barrier.
- Do not attempt to crawl under the barrier.
- Do not intentionally rebound off the barrier.
- Do not hang from, kick, cut, or climb on the barrier.
- Wear clothing free of drawstrings, hooks, loops or anything that could get caught while using the trampoline/ enclosure and result in entanglement or strangulation, or both.
- Always remove jewellery, belt buckles or any other sharp objects before using the enclosure.
- Do not attach anything to the barrier that is not a manufacturer-approved accessory or part of the enclosure system.
- Enter and exit the enclosure only at the enclosure door or barrier opening designated for that purpose.
- Ensure entrance of safety net is completely closed prior to BERG trampoline usage.
- Climbing on the poles of the safety net is prohibited.
- Keep fire away from the safety net.
- Do not use or stand near the trampoline in windy or gusty conditions. A trampoline can become airborne when exposed to sustained wind or gusting wind conditions. This can result in serious injury, paralysis, of death, as well as property damage. To reduce these risks, disassemble the trampoline and enclosure and store them until weather conditions improve. Anchoring a trampoline frame may prevent the trampoline from moving as a result of the wind, but even anchored trampolines can become airborne or damaged. Consult a qualified contractor to determine what type of anchor works best in your location.
- The net should be replaced every 5 years (or earlier when loss of functionality).
- Read all instructions before using the trampoline enclosure. Warnings and instructions for the care, maintenance, and use of this trampoline are included to promote safe, enjoyable use of this equipment.



Go to the BERG toys channel on



for installation instruction video's
www.youtube.com/bergtoys

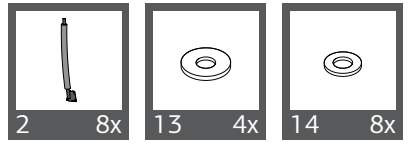
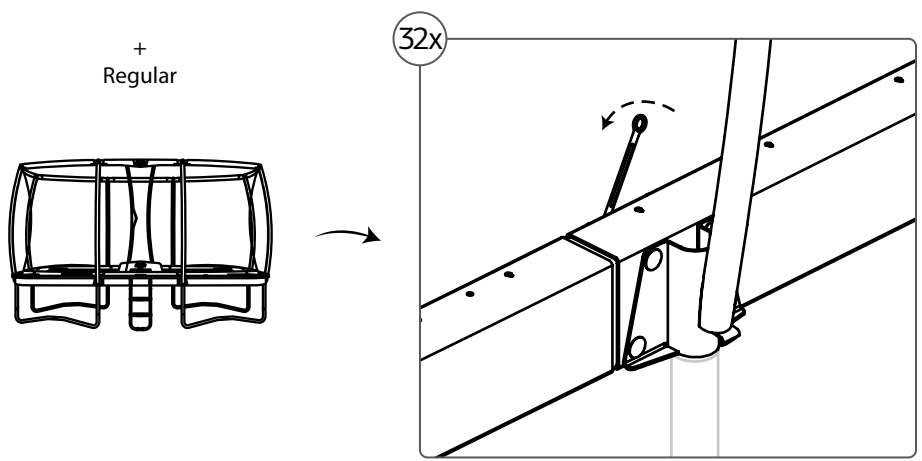
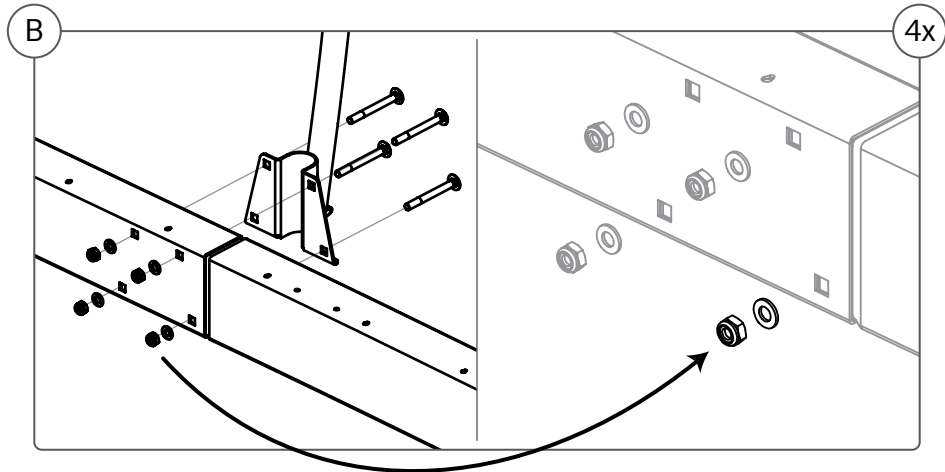
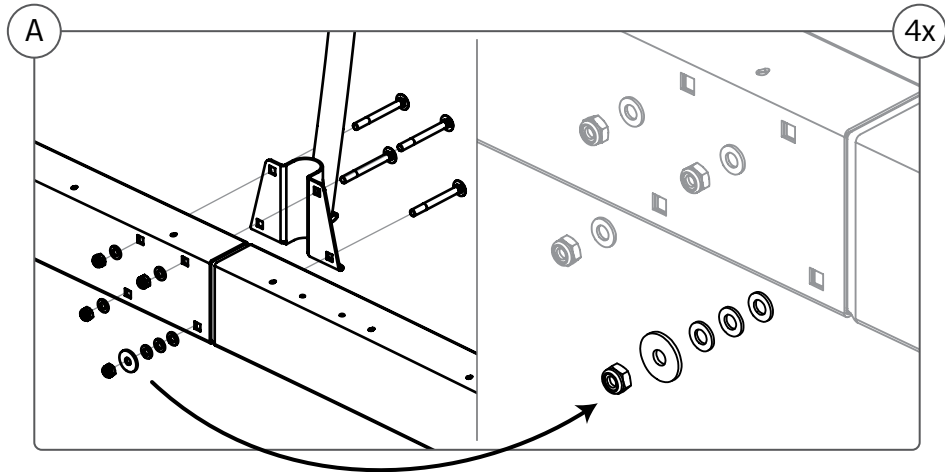
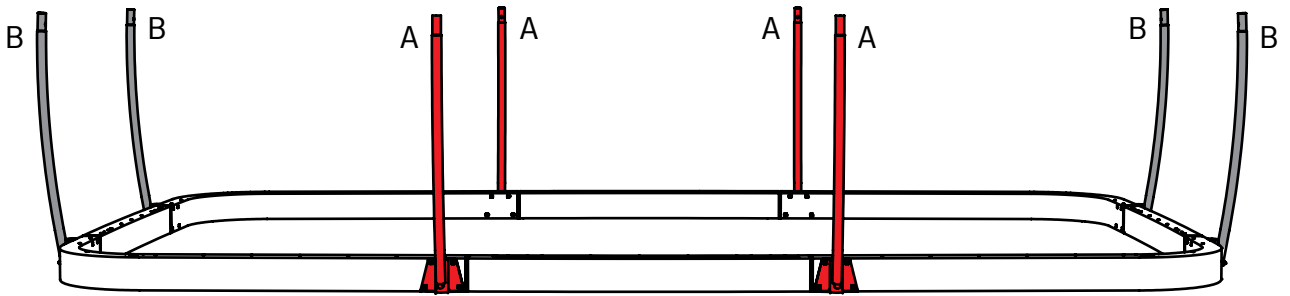


1

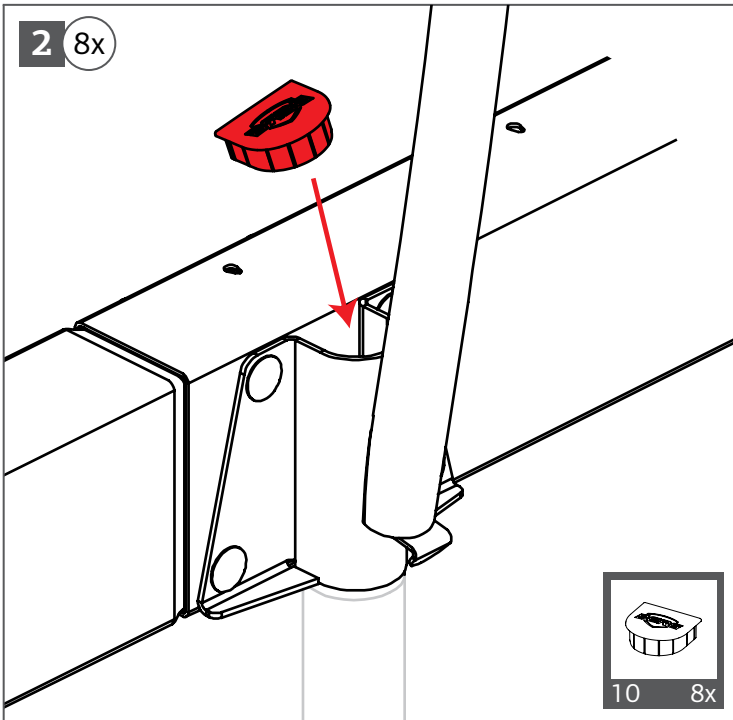
1x

<p>2 8x</p>	<p>3 8x</p>	<p>4 8x</p>	<p>5 8x</p>	<p>6 8x</p>	<p>7 12x</p>	<p>8 4x</p>
<p>9 8x</p>	<p>10 8x</p>	<p>11 4x</p>	<p>12 2x</p>	<p>13 4x</p>	<p>14 8x</p>	<p>15 1x</p>

1

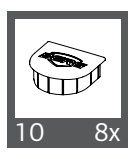
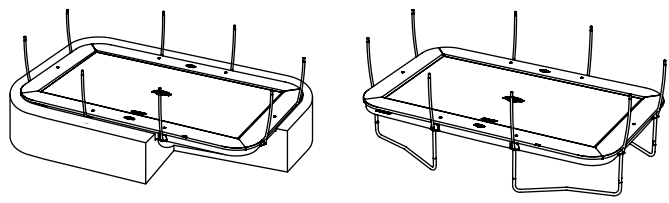


2 8x

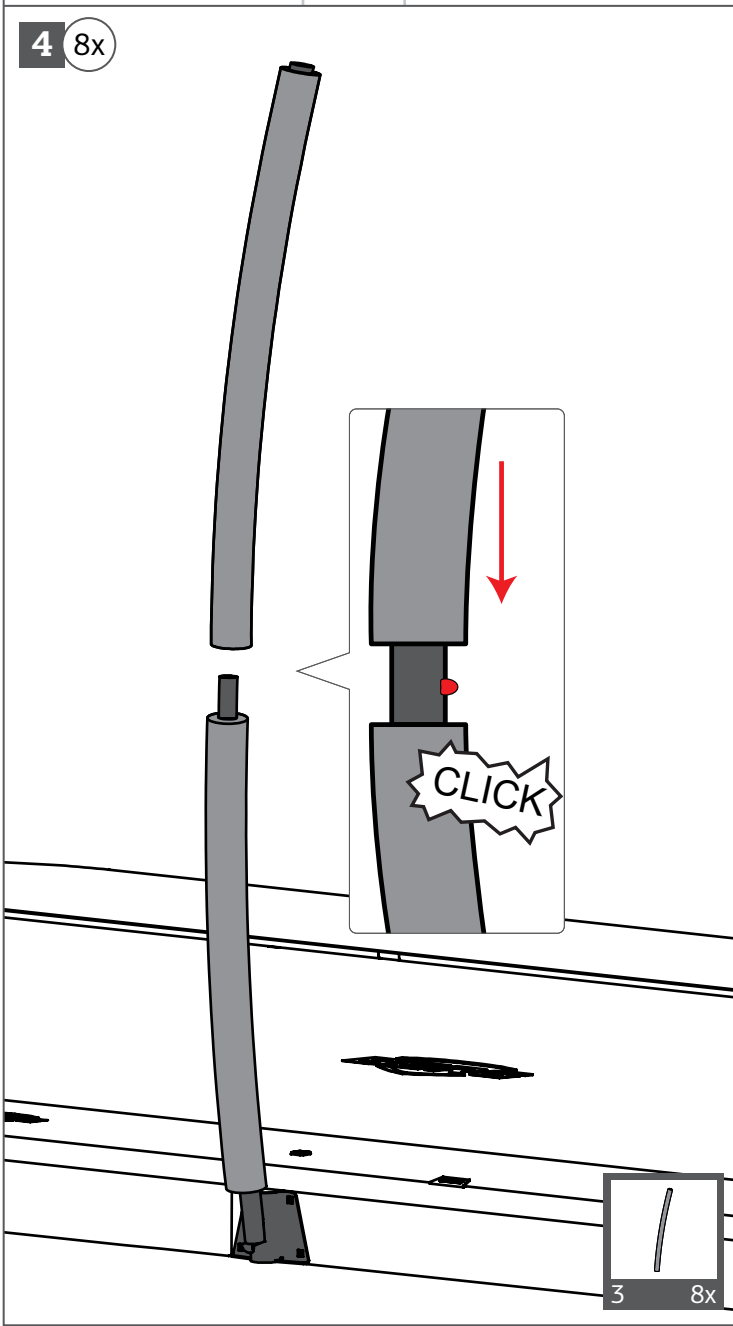


3

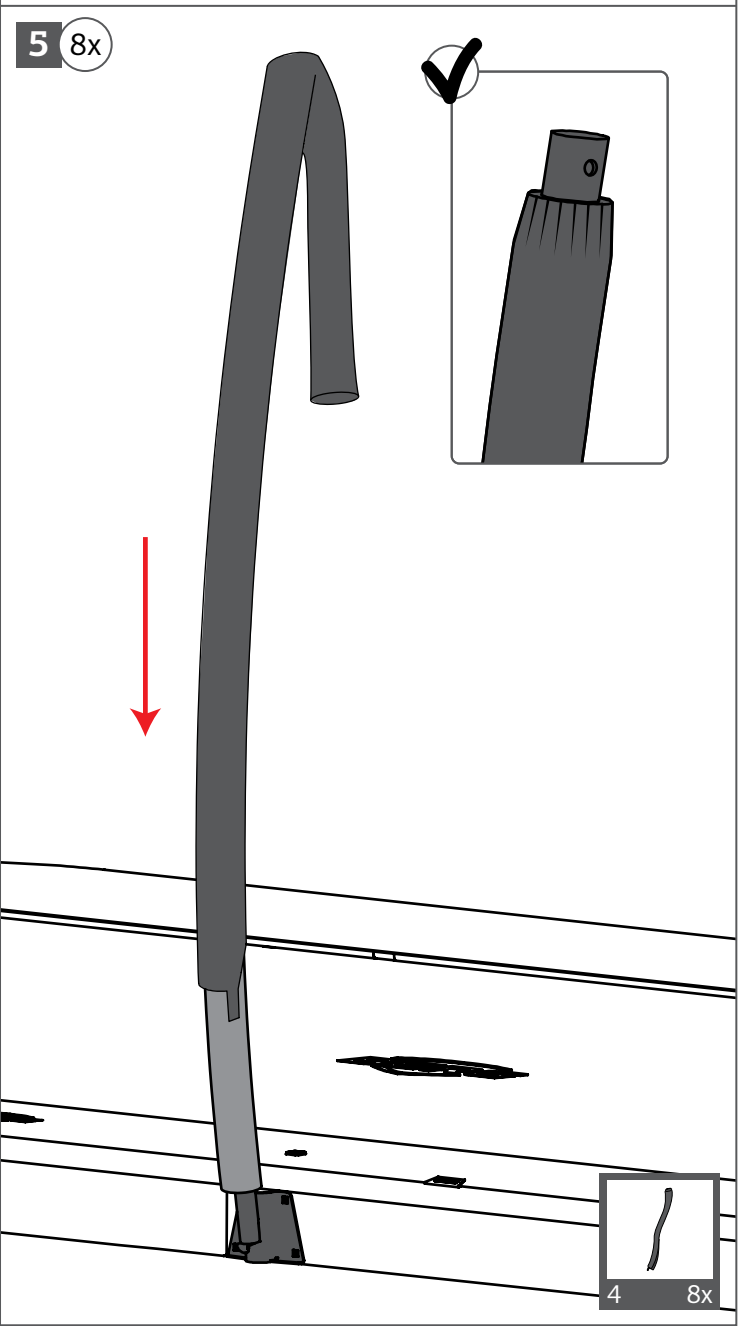
Please continue with the trampoline user manual
Veuillez continuer avec le mode d'emploi du trampoline

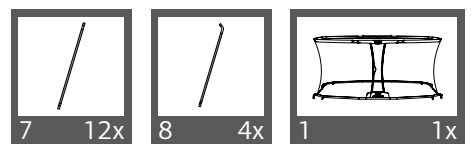
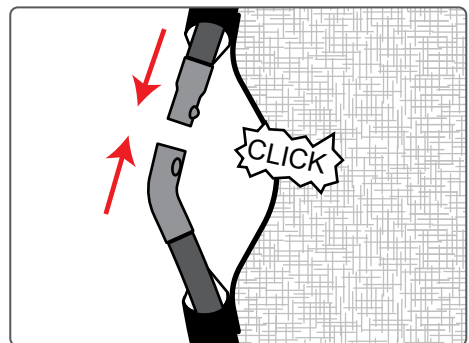
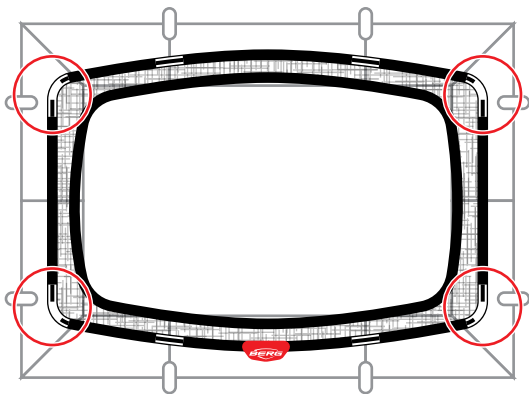
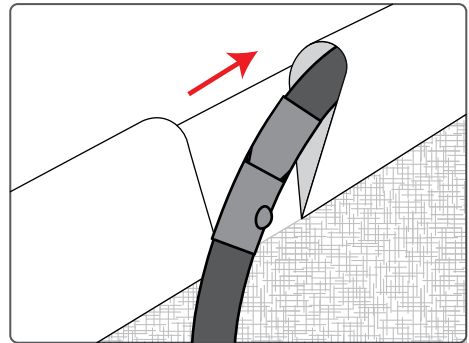
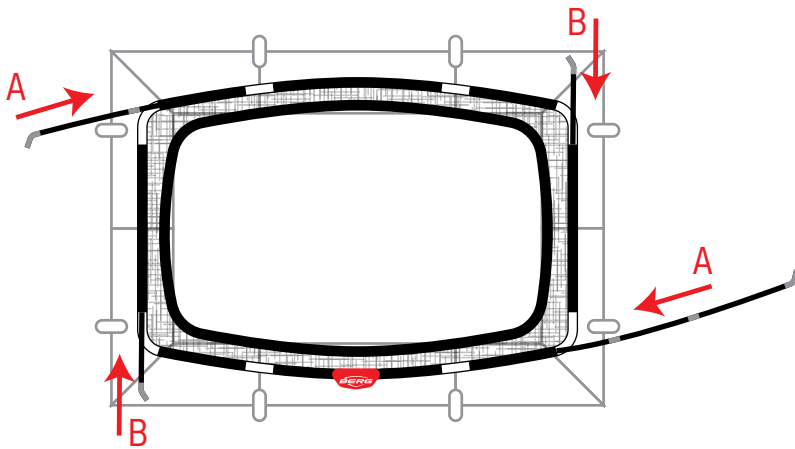
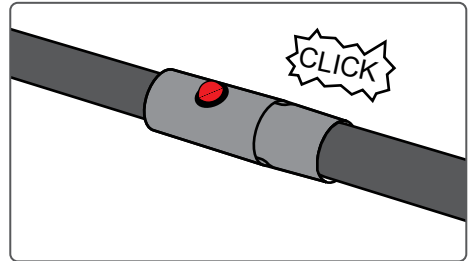
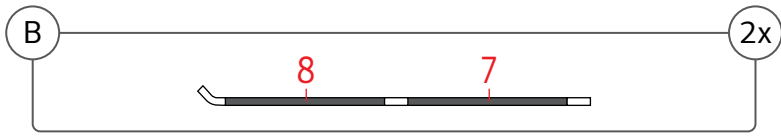
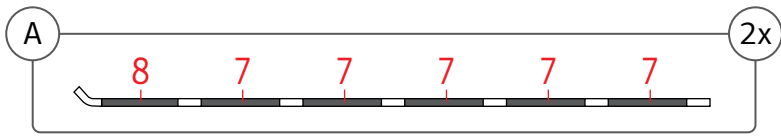
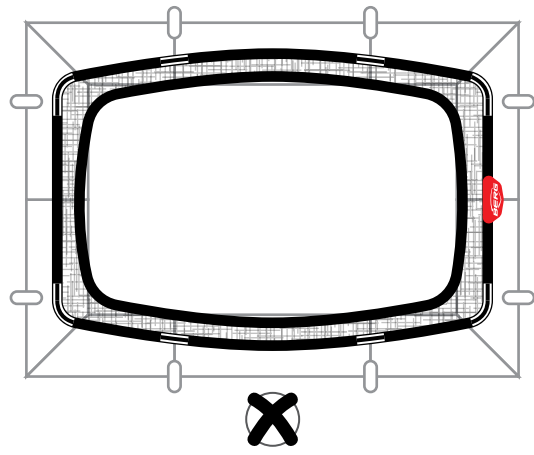
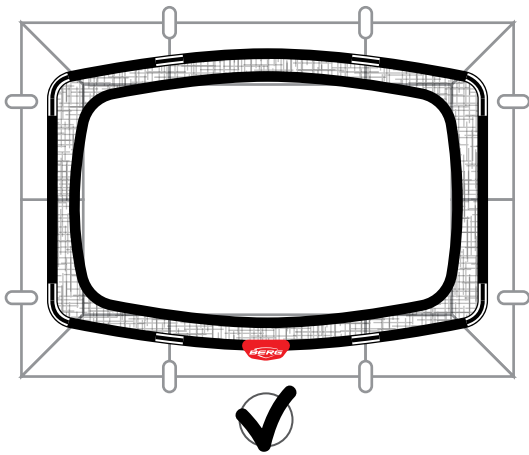


4 8x



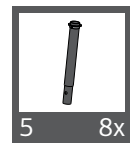
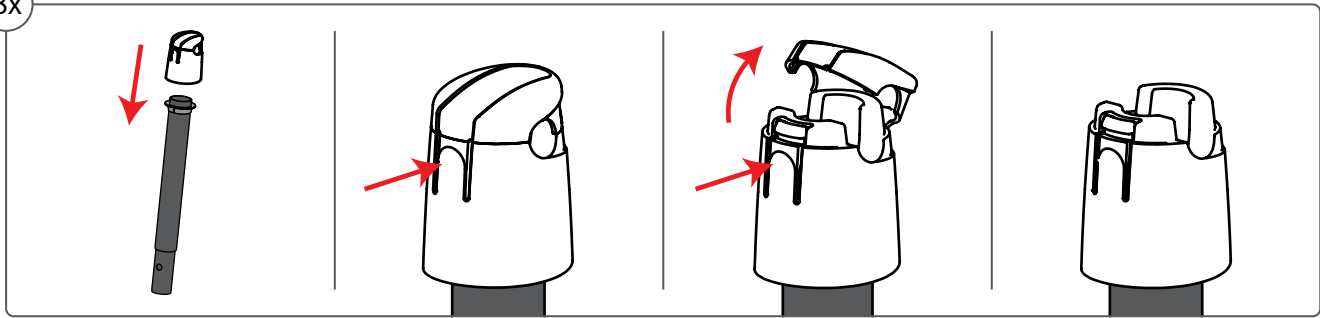
5 8x



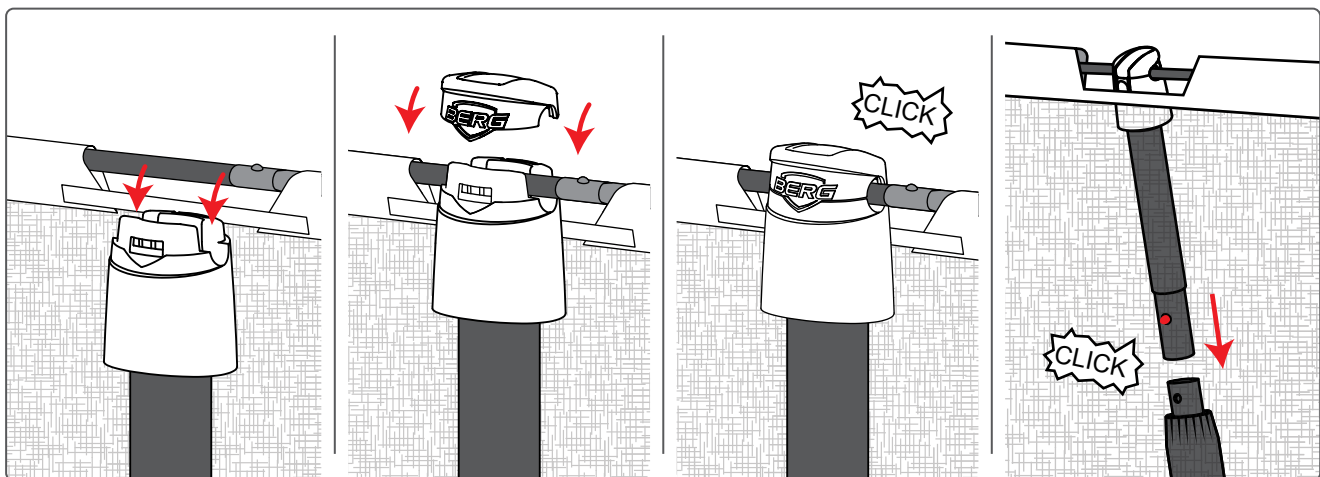


7

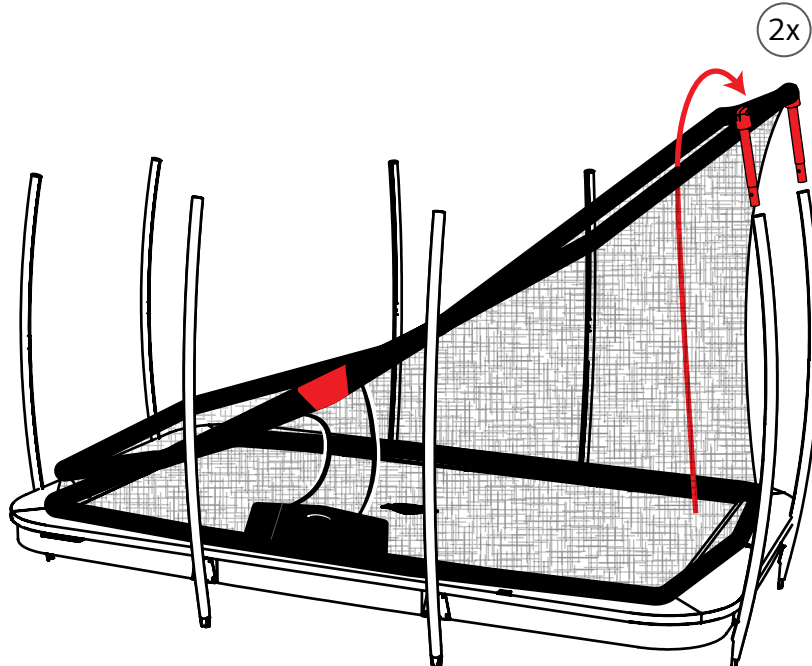
8x



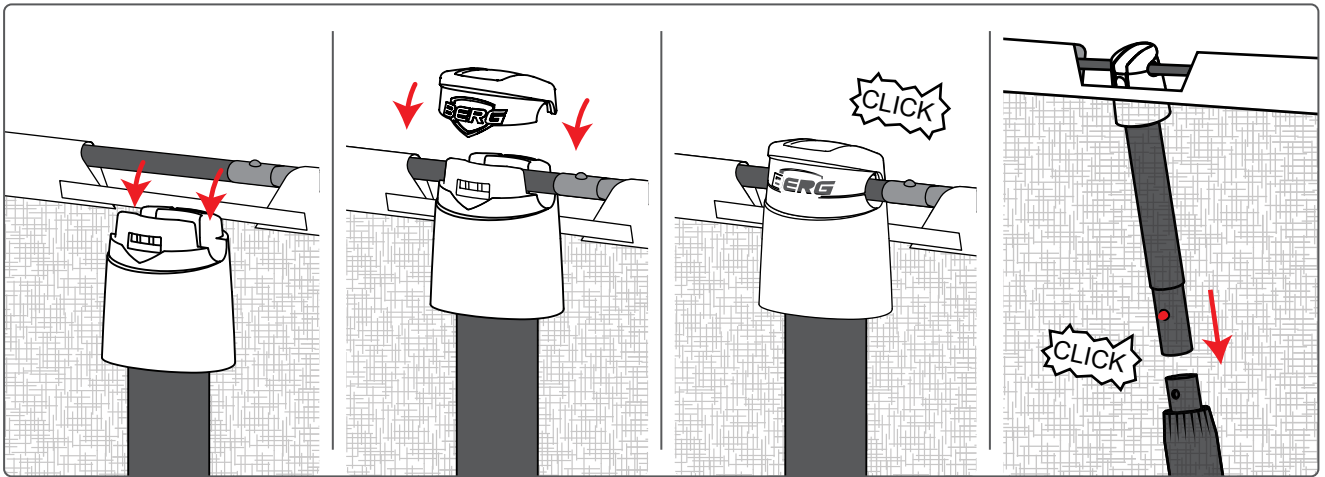
8



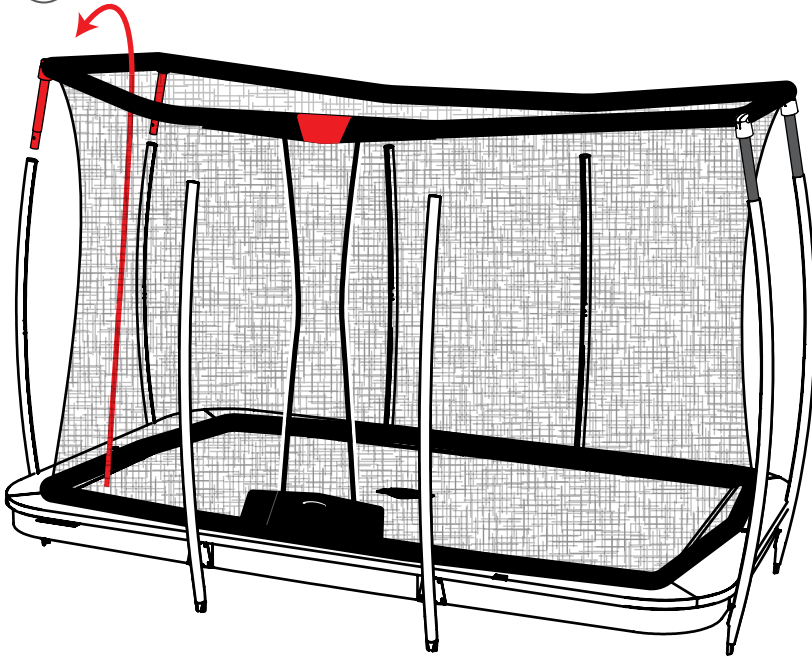
2x



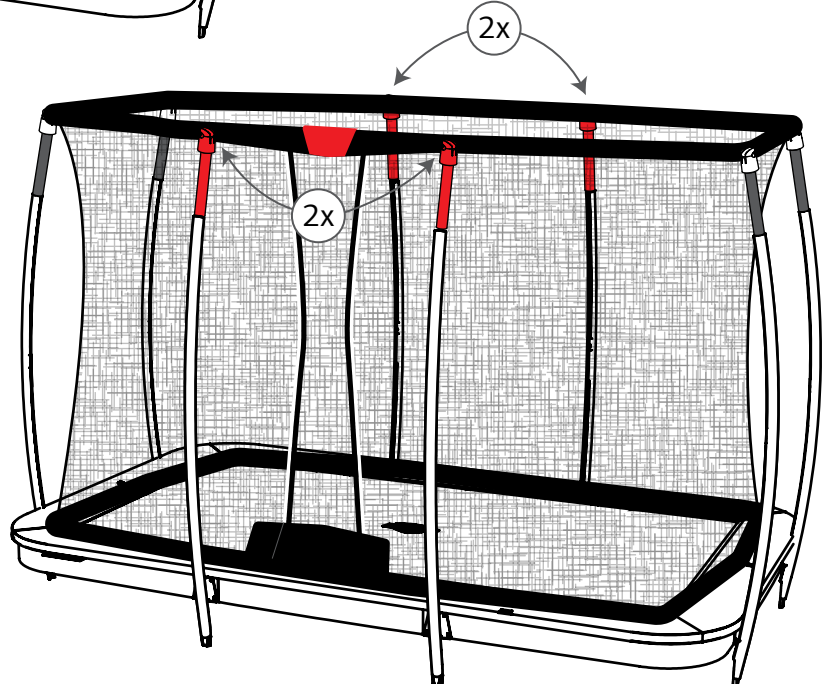
9



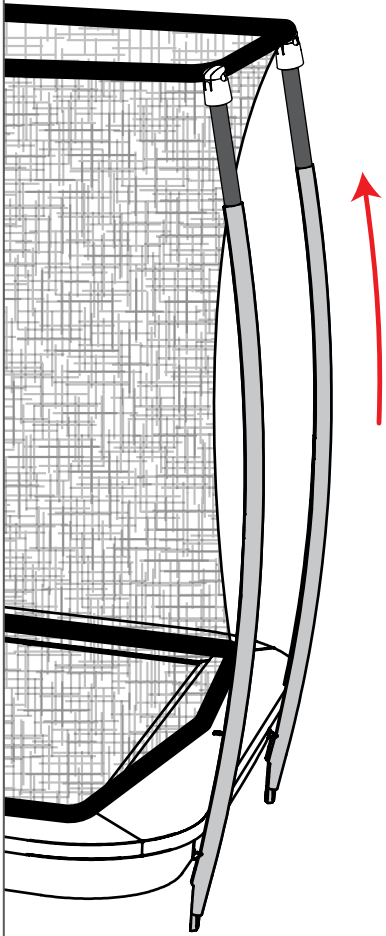
2x



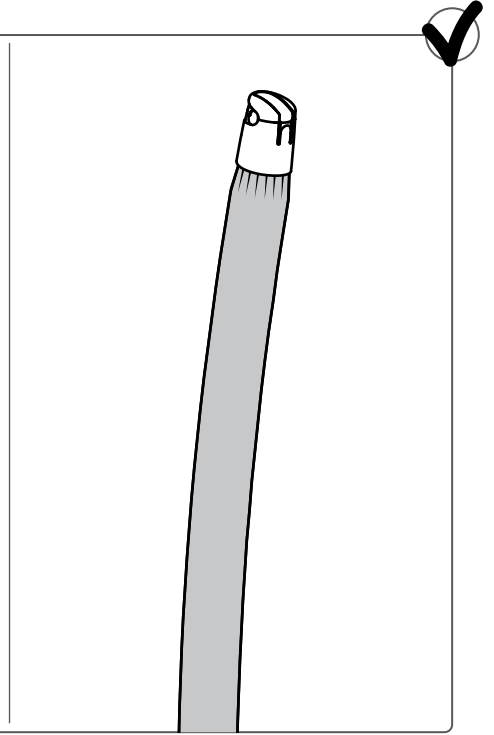
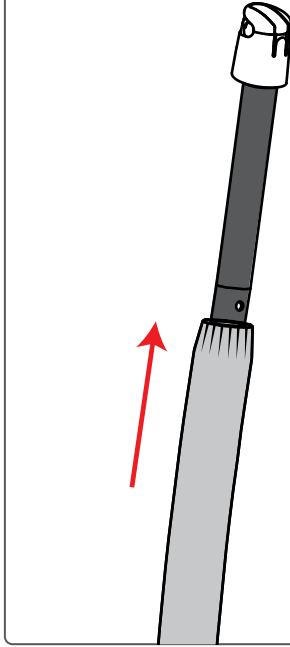
2x



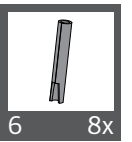
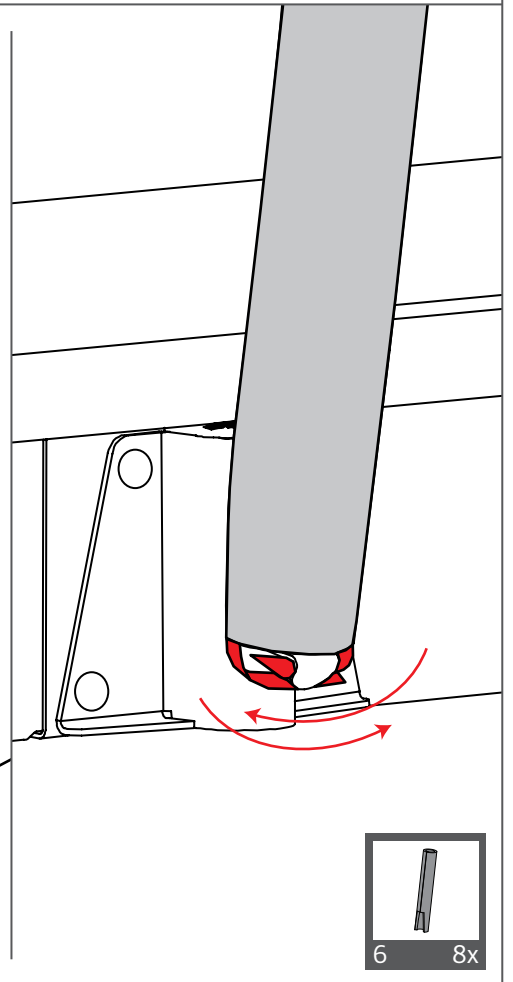
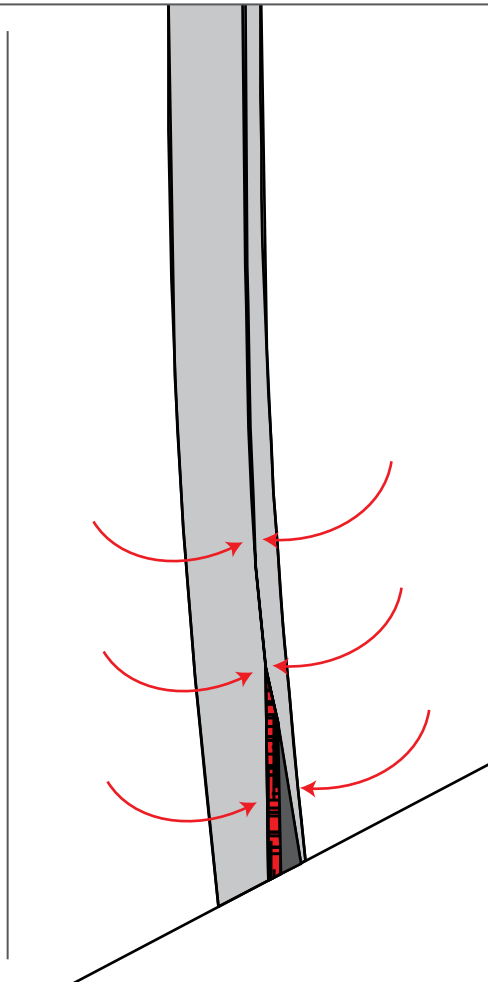
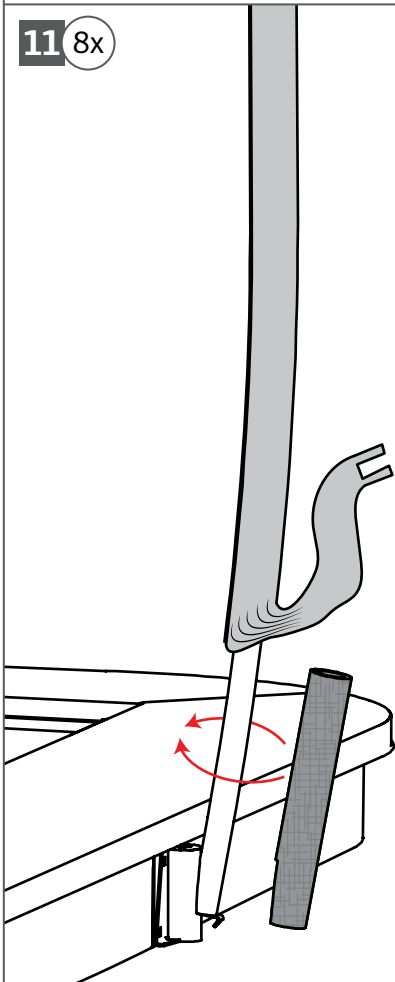
10



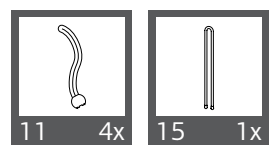
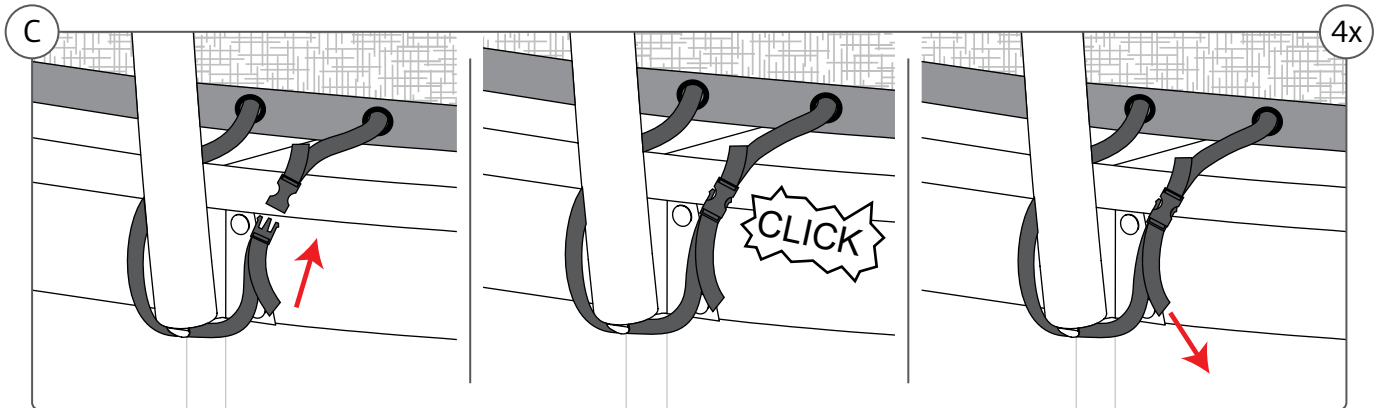
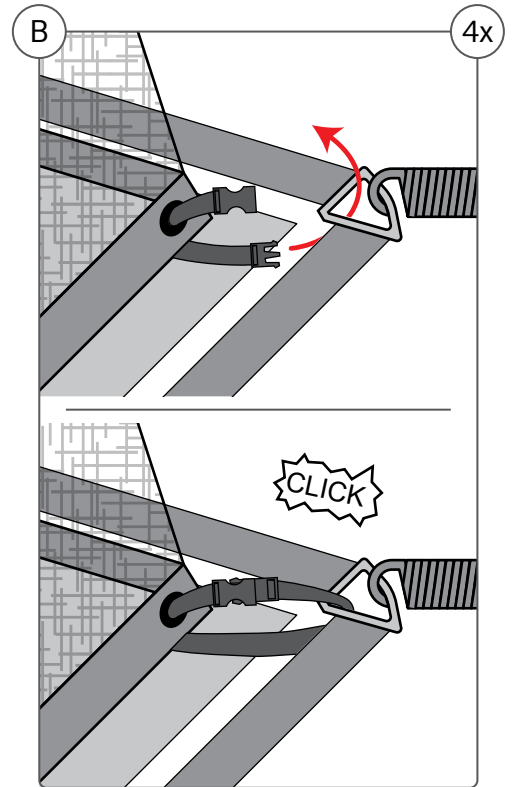
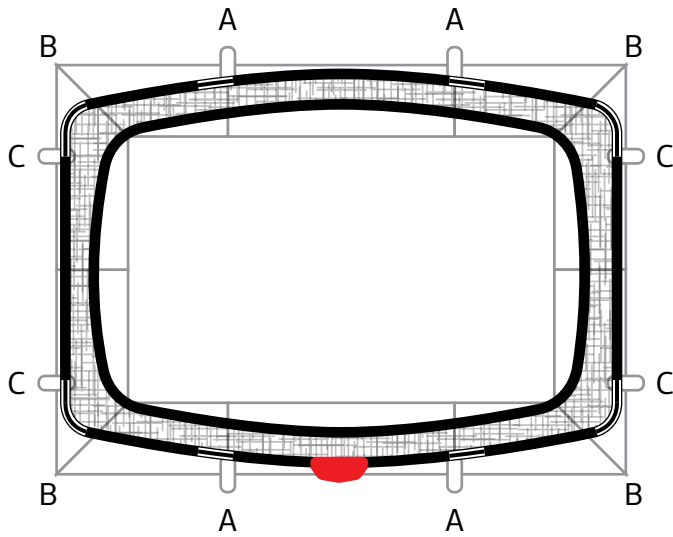
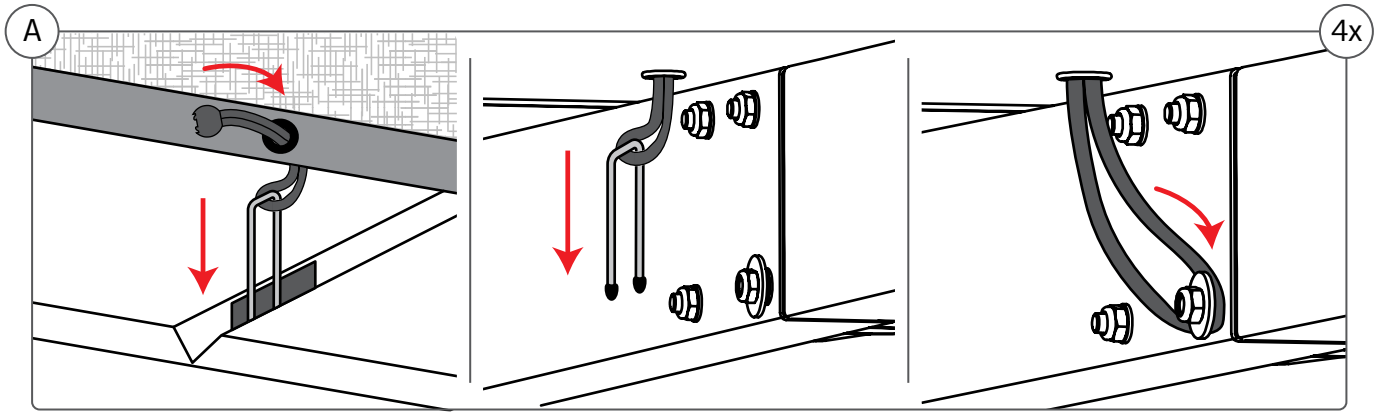
8x



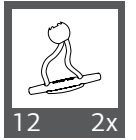
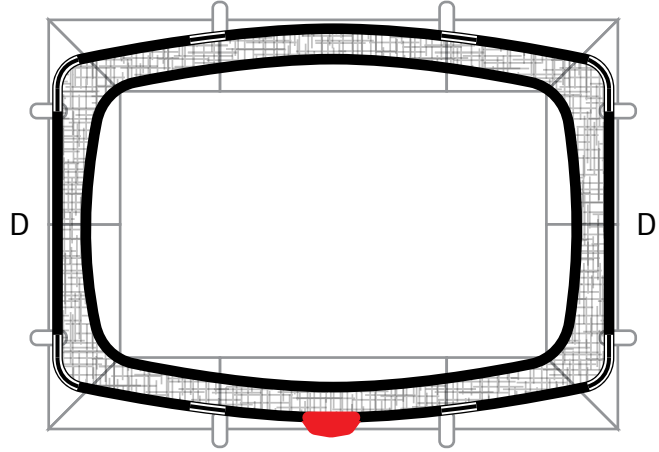
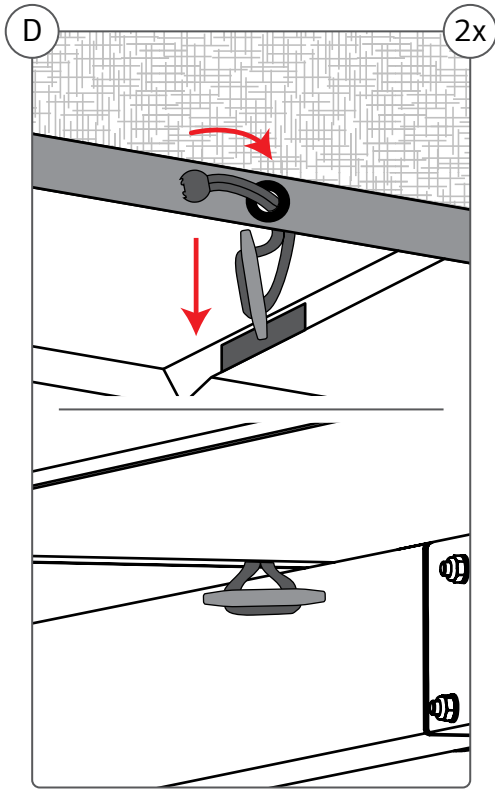
11 8x



12



13



14

