

ASSEMBLY INSTRUCTIONS

#23: LITTLE BETSY





4' CHILDREN'S TABLE

STEP 1: PLACE PICNIC TABLE LEGS UPRIGHT ON FLAT SURFACE, MAKING SURE THE PILOT HOLES ON THE LEGS ARE FACING INWARDS.

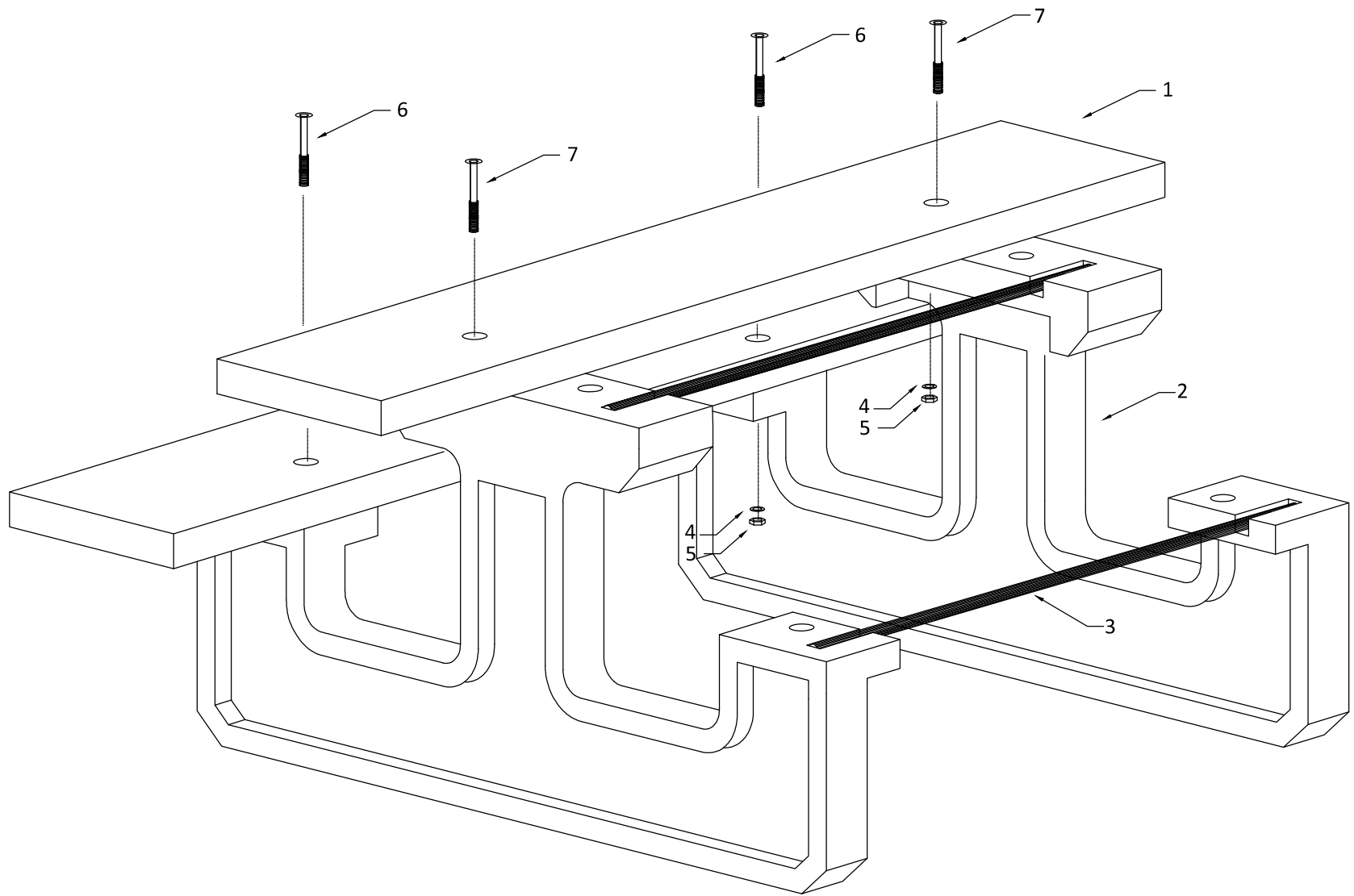
STEP 2: STARTING WITH THE SEATS, PLACE ONE OF THE PIPES INBETWEEN THE LEGS INSIDE OF THE GROOVES. REPEAT ON OTHER SIDE. ONCE PIPES HAVE BEEN PLACED, LAY DOWN A 2" x 10" x 4' ON TOP OF THE LEGS, MAKING SURE TO ALIGN THE DRILLED HOLES. INSERT 3/8" x 3 1/2" CARRIAGE BOLTS THROUGH THE HOLES AND SECURE IT TO THE BOTTOM OF THE LEG USING ONE 3/8" FLAT WASHER AND ONE 3/8" NUT PER BOLT. REPEAT ON OTHER SIDE.

STEP 3: FOR THE TABLE TOP, PLACE THE LAST 2 PIPES ON TOP OF THE LEGS INSIDE OF THE GROOVES. LAY THE TWO REMAINING BOARDS ON TOP OF THE LEGS, MAKING SURE TO ALIGN THE DRILLED HOLES. INSERT 3/8" x 3" CARRIAGE BOLTS THROUGH THE HOLES AND SECURE IT TO THE LEG USING REMAINING WASHERS AND NUTS.

STEP 4: ENSURE PICNIC TABLE IS SQUARE AND TIGHTEN ALL FASTENERS.

REF#	QTY	DESCRIPTION
1	4	2" x 10" x 4' BOARDS
2	2	TABLE LEGS
3	4	1/2" x 29 1/2" METAL PIPES
	H23	HARDWARE KIT
4	8	 3/8" SS FLAT WASHER
5	8	 3/8" SS NUT
6	4	 3/8" x 3 1/2" CARRIAGE BOLT
7	4	 3/8" x 3" CARRIAGE BOLT

*Your 100% recycled plastic picnic table will give you many years of pleasure and pride,
knowing that you did your part in keeping plastic waste out of landfills and protecting our environment.*



Little Betsy Assembly